

LIGHTS BY
LINEA

EST. 1990

DESIGN & TECHNICAL CERTAINTY

LED STRIP LIGHTING

LED STRIP LIGHTING

We pride ourselves in superior quality LED strip lighting for use in architectural lighting as well as joinery, cabinets and kitchens.

We have partnered with the leading manufacturers and suppliers to ensure we only supply the best quality LED strip and components. Our trained consultants can guide you in achieving your desired lighting effect and our dedicated LED installation and service team should you need their services for an installation.

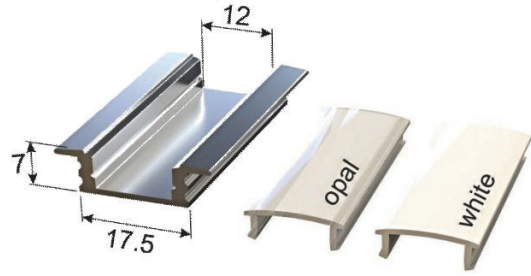




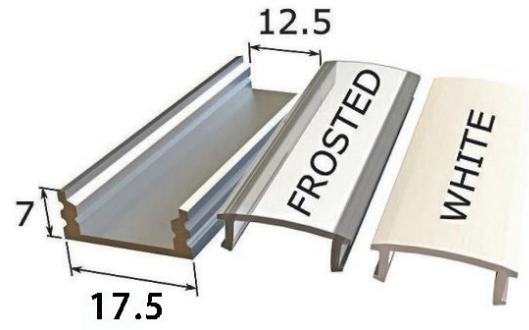
Our LED strip is available as IP20 for interior use or in a IP65 waterproof version for bathrooms and external applications.

We offer a variety of CCT options including 3000K, 4000K and DIM 2 WARM LED strip.

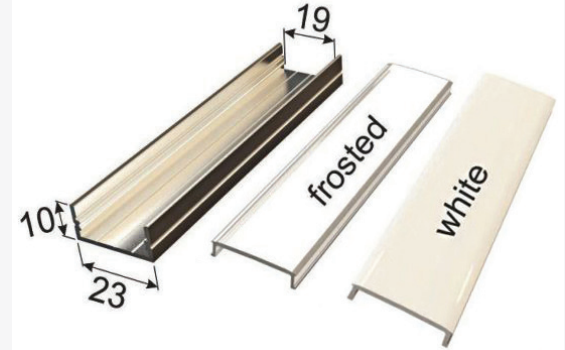
The LED strip is mounted on aluminium extrusion, available in a variety of profiles to suit every application. The profiles all have matching diffusers, which is recommended to diffuse the light, as well as protect the led chips from residue dust and UV rays that will cause their lumen life maintenance to depreciate.



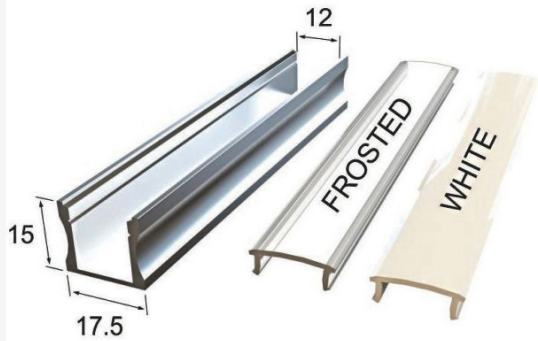
LBLEXTA4



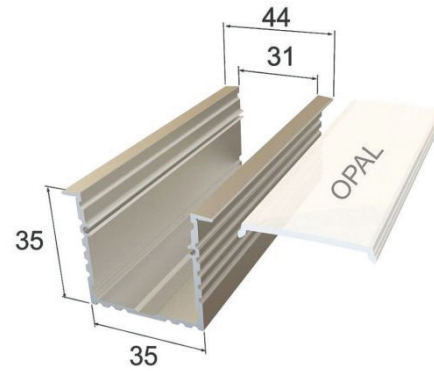
LBLEXTA6



LBLEXTA10

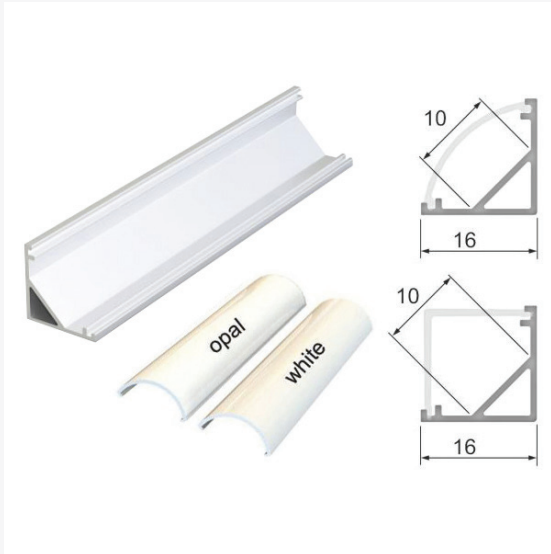


LBLEXTA11

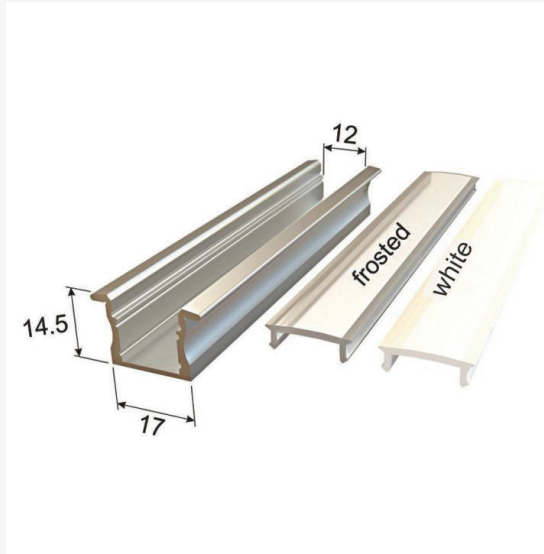


LBLEXTA12B

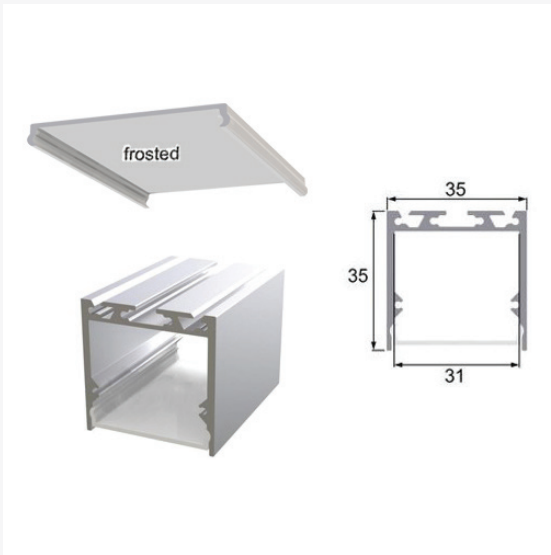
Standard Profiles



LBLEXTA13



LBLEXTA15

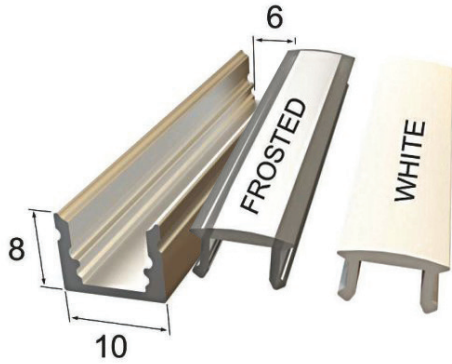


LBLEXTA48

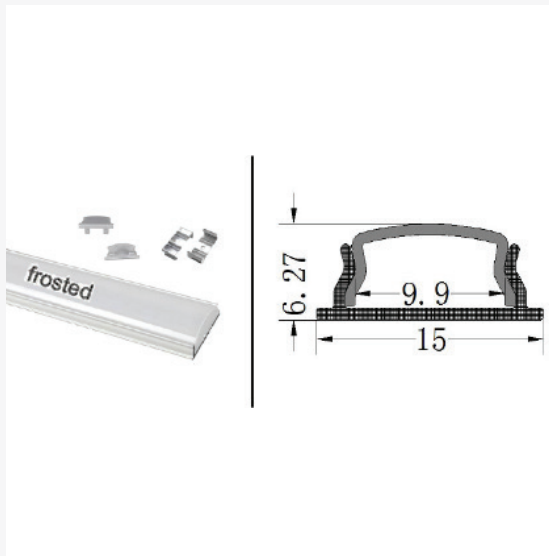
Standard Profiles



For Joinery



LBLEXTA18



LBLEXTA54



Special Profiles

LED STRIP LIGHTING

12V STANDARD



**60 LED 4.8W 12V
LBLFLEX4.8WW / CW**

LAMP	SMD3528
VOLTAGE (V)	12V
CHIP DENSITY	60 LEDs/m
SYSTEM POWER (W)	4.8W
SOURCE OUTPUT (LM)	397LM / 425LM
CCT (K)	3000K / 4000K
CRI (RA)	>80
MAC ADAM STEP	3 STEP
DIMENSIONS	8mm x 2mm
CUT	50mm/cut
WARRANTY	5 YEARS



**120 LED 9.6W 12V
LBLFLEX9.6WW / CW**

LAMP	SMD3528
VOLTAGE (V)	12V
CHIP DENSITY	120 LEDs/m
SYSTEM POWER (W)	9.6W
SOURCE OUTPUT (LM)	835LM / 918LM
CCT (K)	3000K / 4000K
CRI (RA)	>80
MAC ADAM STEP	3 STEP
DIMENSIONS	8mm x 2mm
CUT	25mm/cut
WARRANTY	5 YEARS



**120 LED 14.4W 12V
LBLFLEX14.4WW / CW**

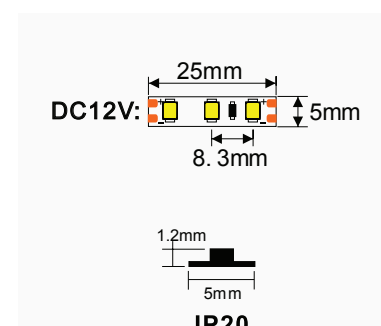
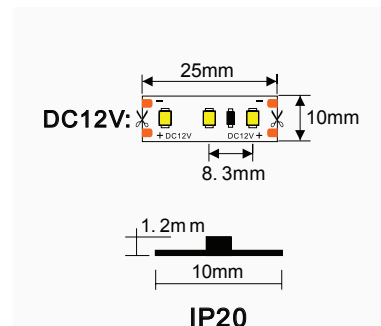
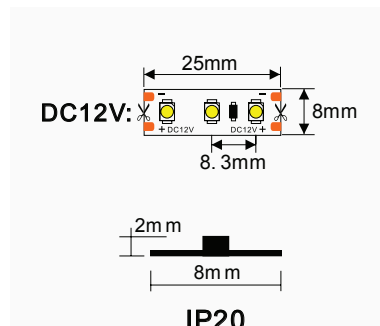
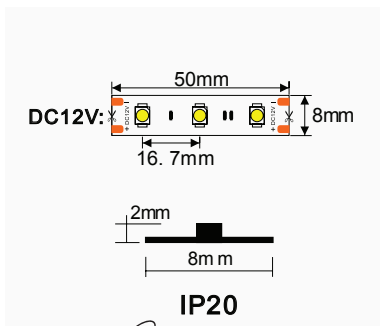
LAMP	SMD3528
VOLTAGE (V)	12V
CHIP DENSITY	120 LEDs/m
SYSTEM POWER (W)	14.4W
SOURCE OUTPUT (LM)	2135LM / 2947LM
CCT (K)	3000K / 4000K
CRI (RA)	>80
MAC ADAM STEP	3 STEP
DIMENSIONS	10mm x 1.2mm
CUT	25mm/cut
WARRANTY	5 YEARS



**120 LED 6.7W 12V
LBLFLEX100W**

LAMP	SMD2835
VOLTAGE (V)	12V
CHIP DENSITY	120 LEDs/m
SYSTEM POWER (W)	6.7W
SOURCE OUTPUT (LM)	1702LM
CCT (K)	6000K
CRI (RA)	>80
MAC ADAM STEP	3 STEP
DIMENSIONS	5mm x 1.2mm
CUT	25mm/cut
WARRANTY	5 YEARS

*Led special strip for
A18 profile*



12V Standard Strips



60 LED 4.8W 24V
LBLFLEX4.8WW / CW24V

LAMP	SMD3528
VOLTAGE (V)	24V
CHIP DENSITY	60 LEDs/m
SYSTEM POWER (W)	4.8W
SOURCE OUTPUT (LM)	375LM / 397LM
CCT (K)	3000K / 4000K
CRI (RA)	>80
MAC ADAM STEP	3 STEP
DIMENSIONS	8mm x 2mm
CUT	100mm/cut
WARRANTY	5 YEARS



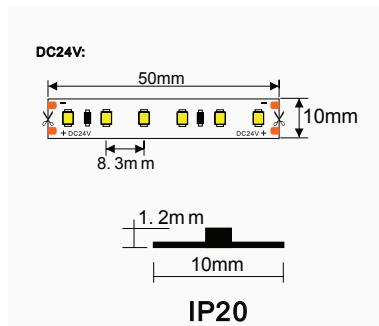
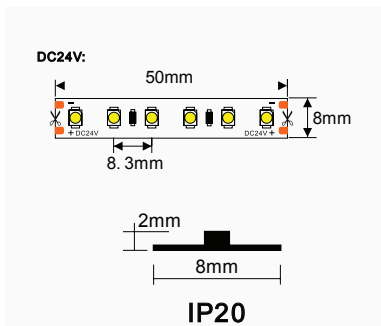
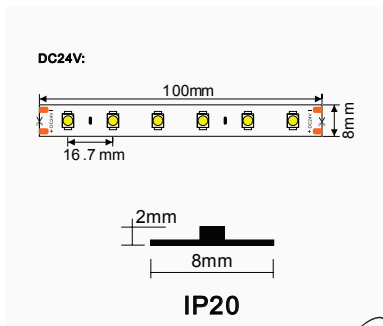
120 LED 9.6W 24V
LBLFLEX9.6WW / CW24

LAMP	SMD3528
VOLTAGE (V)	24V
CHIP DENSITY	120 LEDs/m
SYSTEM POWER (W)	9.6W
SOURCE OUTPUT (LM)	825LM / 918LM
CCT (K)	3000K / 4000K
CRI (RA)	>80
MAC ADAM STEP	3 STEP
DIMENSIONS	8mm x 2mm
CUT	50mm/cut
WARRANTY	5 YEARS



120 LED 14.4W 24V
LBLFLEX14.4WW / CW24

LAMP	SMD2835
VOLTAGE (V)	24V
CHIP DENSITY	120 LEDs/m
SYSTEM POWER (W)	14.4W
SOURCE OUTPUT (LM)	2154LM / 2947LM
CCT (K)	3000K / 4000K
CRI (RA)	>80
MAC ADAM STEP	3 STEP
DIMENSIONS	10mm x 1.2mm
CUT	50mm/cut
WARRANTY	5 YEARS



24V Standard Strips



**60 LED 4.8W 24V WATERPROOF
LBLFLEXW4.8WW / CW24**

LAMP	SMD3528
VOLTAGE (V)	24V
CHIP DENSITY	60 LEDs/m
SYSTEM POWER (W)	4.8W
SOURCE OUTPUT (LM)	454LM / 504LM
CCT (K)	3000K / 4000K
CRI (RA)	>80
MAC ADAM STEP	3 STEP
DIMENSIONS	10mm x 4mm
CUT	100mm/cut
WARRANTY	5 YEARS



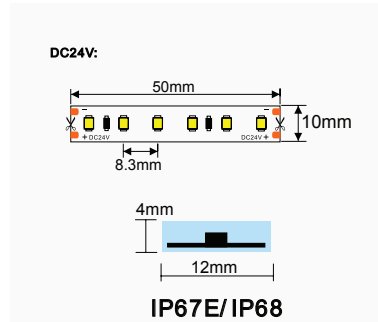
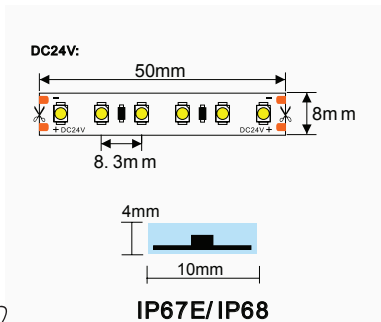
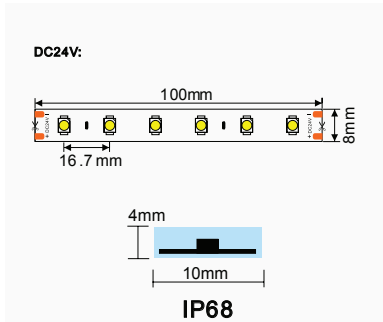
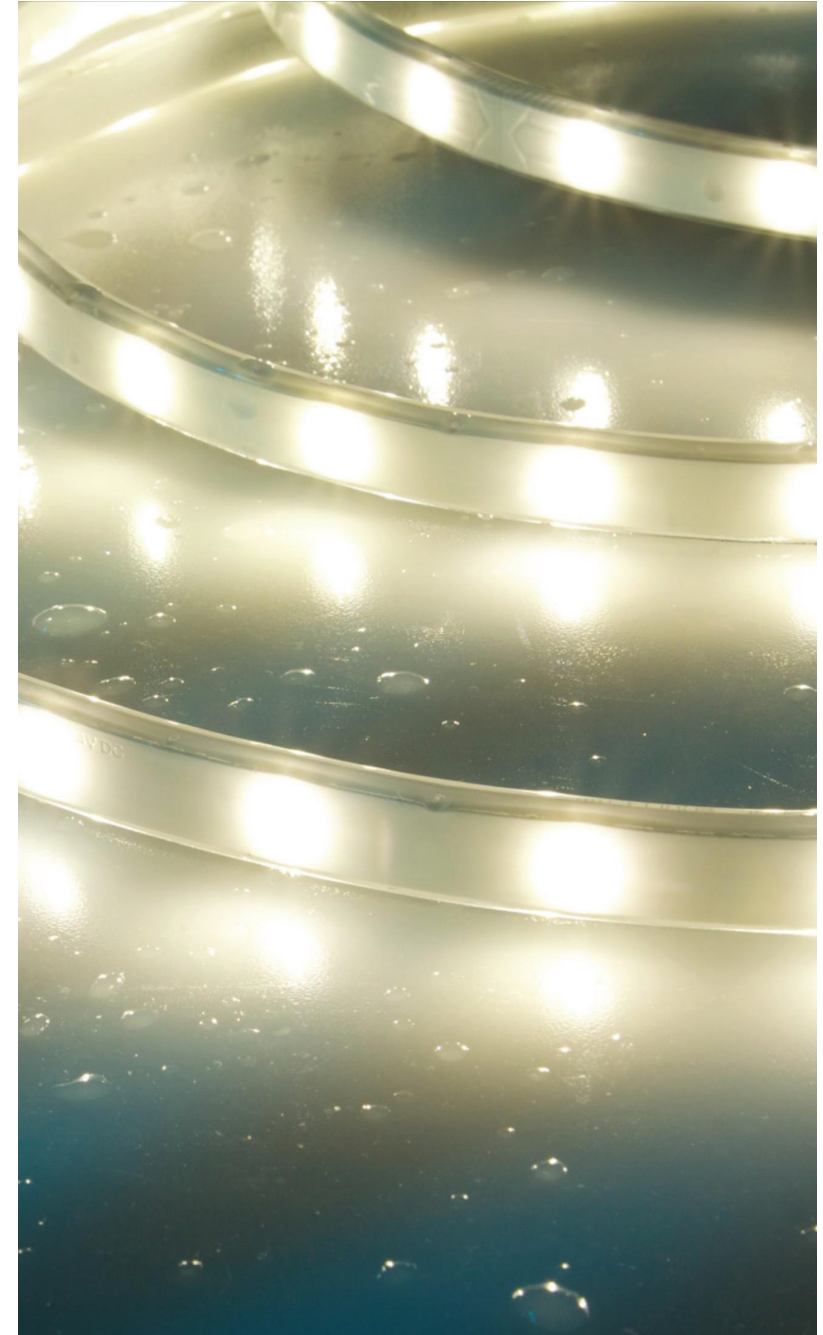
**120 LED 9.6W 24V
LBLFLEXW9.6WW / CW24**

LAMP	SMD3528
VOLTAGE (V)	24V
CHIP DENSITY	120 LEDs/m
SYSTEM POWER (W)	9.6W
SOURCE OUTPUT (LM)	718LM / 779LM
CCT (K)	3000K / 4000K
CRI (RA)	>80
MAC ADAM STEP	3 STEP
DIMENSIONS	10mm x 4mm
CUT	50mm/cut
WARRANTY	3 YEARS



**120 LED 14.4W 24V WATERPROOF
LBLFLEXW14.4WW / CW24**

LAMP	SMD2835
VOLTAGE (V)	24V
CHIP DENSITY	120 LEDs/m
SYSTEM POWER (W)	14.4W
SOURCE OUTPUT (LM)	2135LM / 2947LM
CCT (K)	3000K / 4000K
CRI (RA)	>80
MAC ADAM STEP	3 STEP
DIMENSIONS	12mm x 4mm
CUT	50mm/cut
WARRANTY	5 YEARS



24V Waterproof Strips



**224 LED 18W 24V DIM TO WARM
LBLFLEX18DTW24 IP20**

LAMP	SMD2216
VOLTAGE (V)	24V
CHIP DENSITY	224 LEDs/m
SYSTEM POWER (W)	18W full brightness
SOURCE OUTPUT (LM)	1529LM @ 3000K
CCT (K)	1800K - 3000K
CRI (RA)	>80
MAC ADAM STEP	3 STEP
DIMENSIONS	10mm x 1.2mm
CUT	62.5mm/cut
WARRANTY	5 YEARS



**224 LED 18W 24V DIM TO WARM
LBLFLEX18WDTW224 IP65**

LAMP	SMD2216
VOLTAGE (V)	24V
CHIP DENSITY	224 LEDs/m
SYSTEM POWER (W)	18W full brightness
SOURCE OUTPUT (LM)	1529LM @ 3000K
CCT (K)	1800K - 3000K
CRI (RA)	>80
MAC ADAM STEP	3 STEP
DIMENSIONS	12mm x 4mm
CUT	62.5mm/cut
WARRANTY	5 YEARS

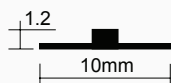


**60 LED 14.4W 24V RGB WATERPROOF
LBLFLXW14.4RGB**

LAMP	SMD5050
VOLTAGE (V)	24V
CHIP DENSITY	60 LEDs/m
SYSTEM POWER (W)	14.4W
SOURCE OUTPUT (LM)	620LM
CCT (K)	RGB
CRI (RA)	>80
MAC ADAM STEP	3 STEP
DIMENSIONS	12mm x 4mm
CUT	100mm/cut
WARRANTY	3 YEARS

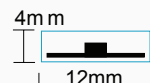
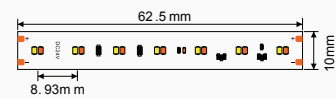


DC24V:



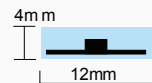
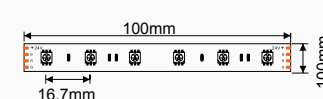
IP20

DC24V:



IP65

DC24V:



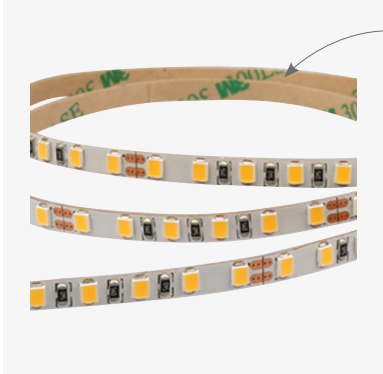
IP67E/IP68

24V Special Strips



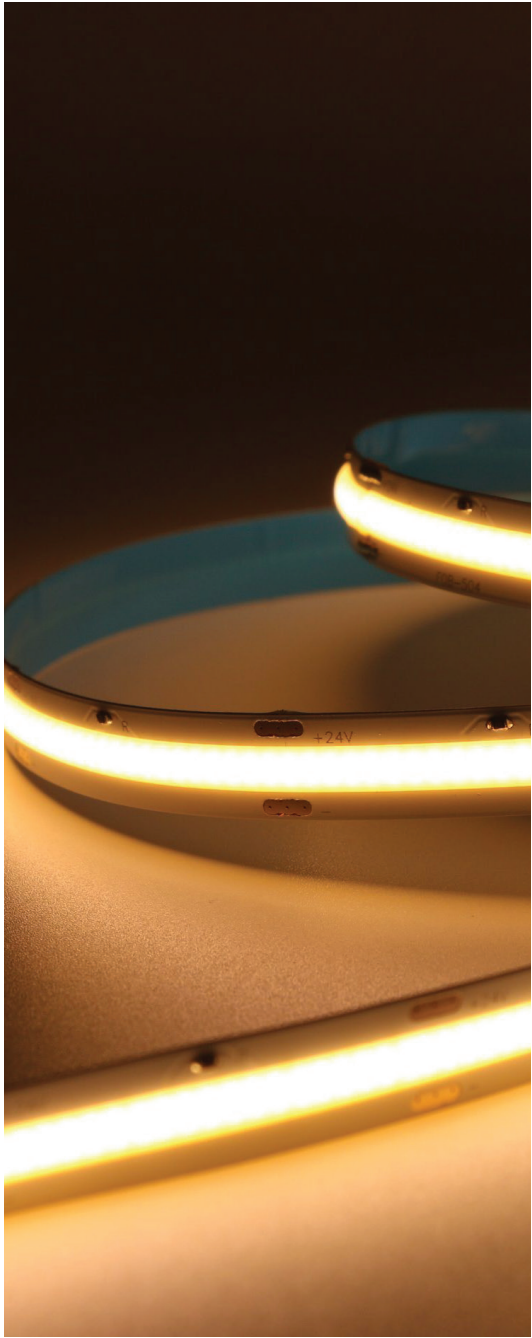
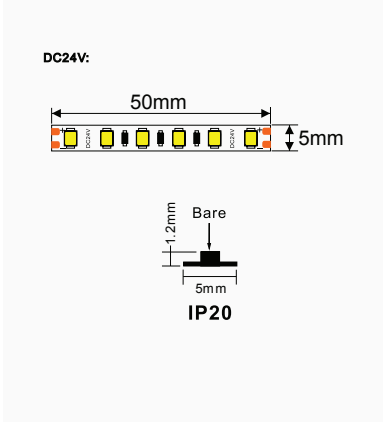
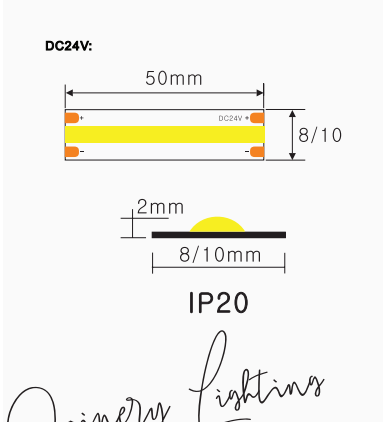
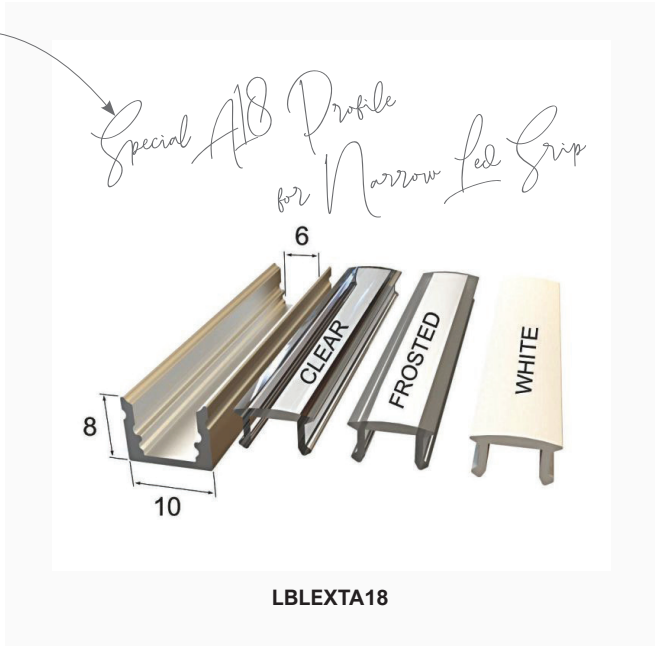
LED COB 10W 24V
LBLFLEX10WW / CW24V

LAMP	COB LED
VOLTAGE (V)	24V
CHIP DENSITY	480 Chips/m
SYSTEM POWER (W)	10W
SOURCE OUTPUT (LM)	880LM / 989LM
CCT (K)	3000K / 4000K
CRI (RA)	>80
MAC ADAM STEP	3 STEP
DIMENSIONS	10mm x 2mm
CUT	50mm/cut
WARRANTY	5 YEARS

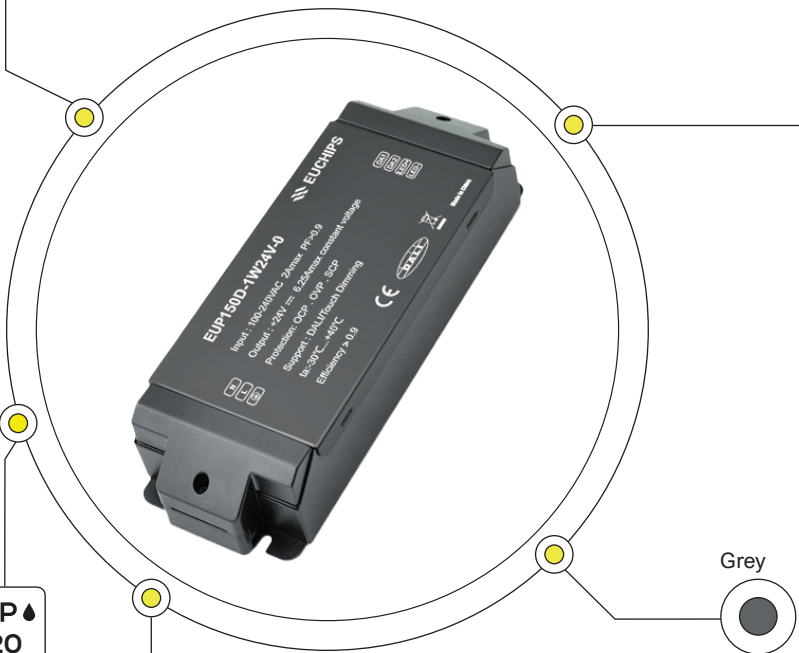


120 LED 6.7W 24V
LBLFLEX100WW / CW

LAMP	SMD2835
VOLTAGE (V)	24V
CHIP DENSITY	120 LEDs/m
SYSTEM POWER (W)	6.7W
SOURCE OUTPUT (LM)	594LM
CCT (K)	3000K / 4000K
CRI (RA)	>80
MAC ADAM STEP	3 STEP
DIMENSIONS	5mm x 1.2mm
CUT	50mm/cut
WARRANTY	5 YEARS



Joinery Lighting



+ IP
20

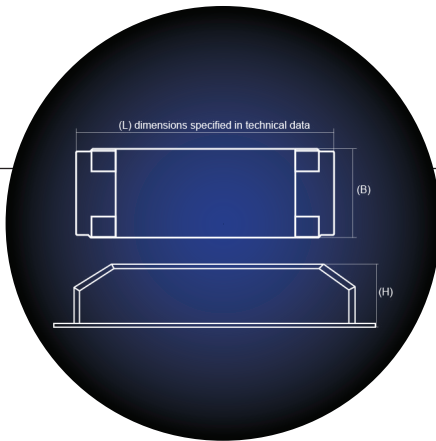


LOA



TECHNICAL DATA

POWER SUPPLY FEED		
	LBL75WNWP24VDD	LBL150WNWP24VDD
MATERIAL	METAL	METAL
TYPE	LED DALI / PUSH DRIVER	LED DALI / PUSH DRIVER
IP RATING	IP20	IP20
OUTPUT POWER	75W	150W
INPUT VOLTAGE	200-240V	200-240V
OUTPUT VOLTAGE	DC24V	DC24V
AMPERE (A)	3.1A	6.25A
DIMENSIONS (L x B x H)	213 x 54 x 33mm	206 x 75 x 41mm



PHYSICAL DATA

FEATURES & ACCESSORIES:

- Single-channel constant voltage output
- Supports Push Dim and DALI Dimming
- Dimming effect smooth, no flicker
- Over-current, Short-circuit, Over-voltage and Over-temperature Protection

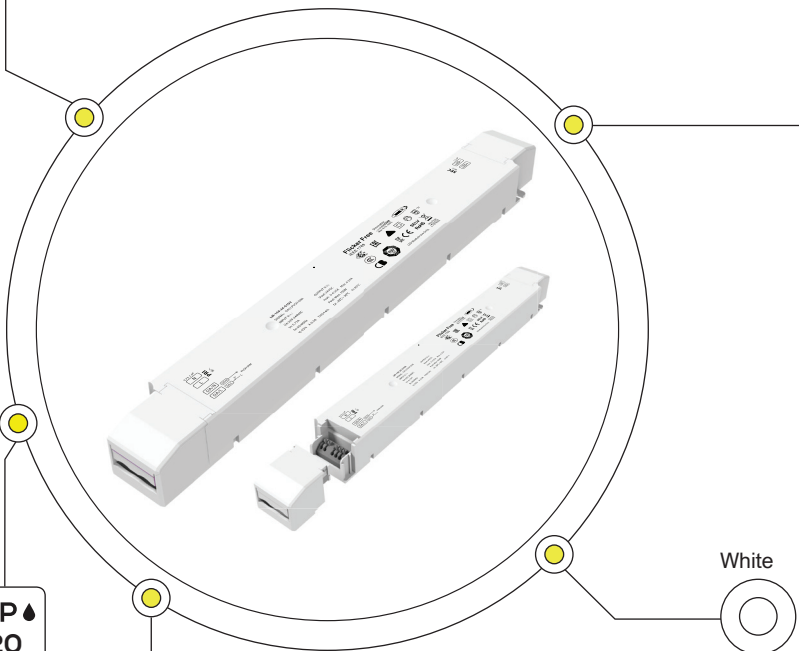
MOUNTING:

- Subject to application
- 50mm gap between drivers
- Breathable environment

APPLICATION AREAS:

LED Lighting Applications, Wall Washer, LED Strip Lighting, LED Tube, underground Light, AR111 Venture Light

*Non-Waterproof
DALI Push Drivers*



+ IP 20



5 YRS

PHYSICAL DATA

FEATURES

- Dimming interface: DALI, Push Dim
- Fully-protected plastic housing with removable end cover which is for the convenient adjustments of length of drivers
- Dimmable 0.1 -100% , Flicker-free, High frequency exemption level
- High efficiency driver with innovative thermal management technology, intelligent power life protection
- Low standby power loss
- Compliant with Safety Extra Low Voltage Standard
- Over-heat / Over voltage / Over load / Short circuit protection / Recover automatically
- Rated life: 50 000hrs

MOUNTING

- Subject to application
- Breathable environment

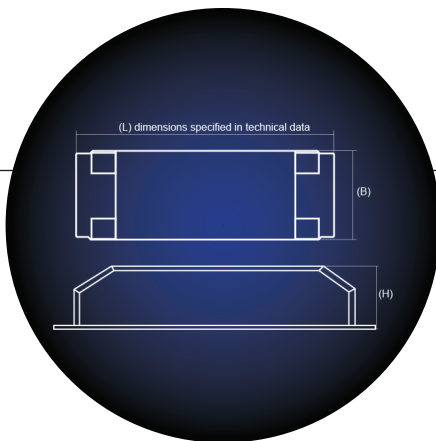
APPLICATION AREAS

LED Lighting Applications

TECHNICAL DATA

POWER SUPPLY FEED - DALI PUSH DIM				
	LED75CTDALI12V	LED75CTDALI24V	LED150CTDALI12V	LED150CTDALI24V
MATERIAL	PLASTIC	PLASTIC	PLASTIC	PLASTIC
TYPE	DALI	DALI	DALI	DALI
IP RATING	IP20	IP20	IP20	IP20
OUTPUT POWER	75W	75W	150W	150W
INPUT VOLTAGE	220-240V	220-240V	220-240V	220-240V
OUTPUT VOLTAGE	DC12V / 6.25A	DC24V / 3.125A	DC12V / 12.5A	DC24V / 6.25A
AMPERE (A)	6.25A	3.125A	12.5A	6.25A
DIMENSIONS (L x W x H)	293 x 43 x 30mm	293 x 43 x 30mm	352 x 43 x 30mm	352 x 43 x 30mm

*Non-Waterproof
DALI Drivers*



PHYSICAL DATA

FEATURES

- Single-channel constant voltage output
- Supports TRIAC and trailing edge (ELV) dimmer and compatible with the systems of various brands
- Dimming effect smooth, no flicker
- Over-current, Short-circuit, Over-voltage and Over-temperature Protection

MOUNTING

- Subject to application
- 50mm gap between drivers
- Breathable environment

APPLICATION AREAS

LED Lighting Applications, Wall Washer, LED Strip Lighting, LED Tube, Underground Light, AR111 Venture Light

+IP
20



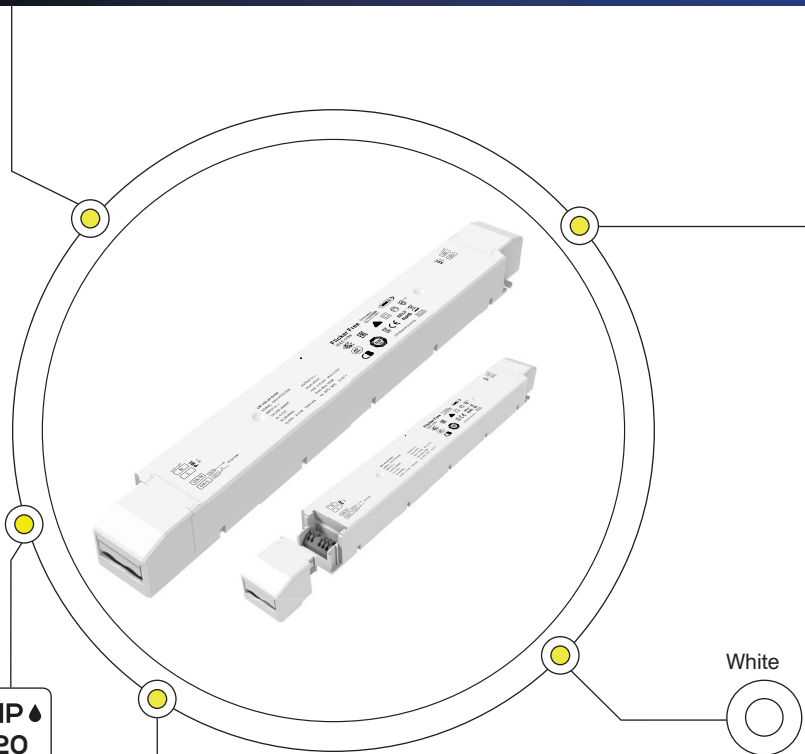
LOA

3YRS

TECHNICAL DATA

POWER SUPPLY FEED				
	LBL75WNWP12VTD	LBL150WNWP12VTD	LBL75WNWP24VTD	LBL150WNWP24VTD
MATERIAL	METAL	METAL	ALUMINIUM	ALUMINIUM
TYPE	LED TRIAC DRIVER	LED TRIAC DRIVER	LED TRIAC DRIVER	LED TRIAC DRIVER
IP RATING	IP20	IP20	IP20	IP20
OUTPUT POWER	75W	150W	75W	150W
INPUT VOLTAGE	200-240V	200-240V	200-240V	200-240V
OUTPUT VOLTAGE	DC12V	DC12V	DC24V	DC24V
AMPERE (A)	6.2A	12.5A	3.1A	6.3A
DIMENSIONS (L x B x H)	213 x 54 x 33mm	260mm 78.3 x 45mm	213 x 54 x 33mm	310 x 60 x 45mm

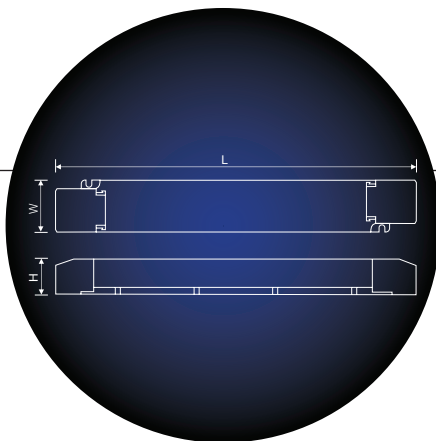
*Non-Waterproof
Triac Drivers*



+ IP 20



5 YRS



PHYSICAL DATA

FEATURES

- Dimming Interface: Leading edge (TRIAC), Trailing edge (ELV) phase-cut and Push DIM driver
- Fully-protected plastic housing with removable end cover which is for the convenient adjustments of length of drivers
- With soft-on and fade-in function, visually more comfortable
- Dimmable 0.1 -100%, Flicker-free, High frequency exemption level
- High efficiency driver with innovative thermal management technology, intelligent power life protection
- Over load / Over temp / Short circuit / Over-heat / Over voltage protection / Recover automatically

MOUNTING

- Subject to application
- Breathable environment

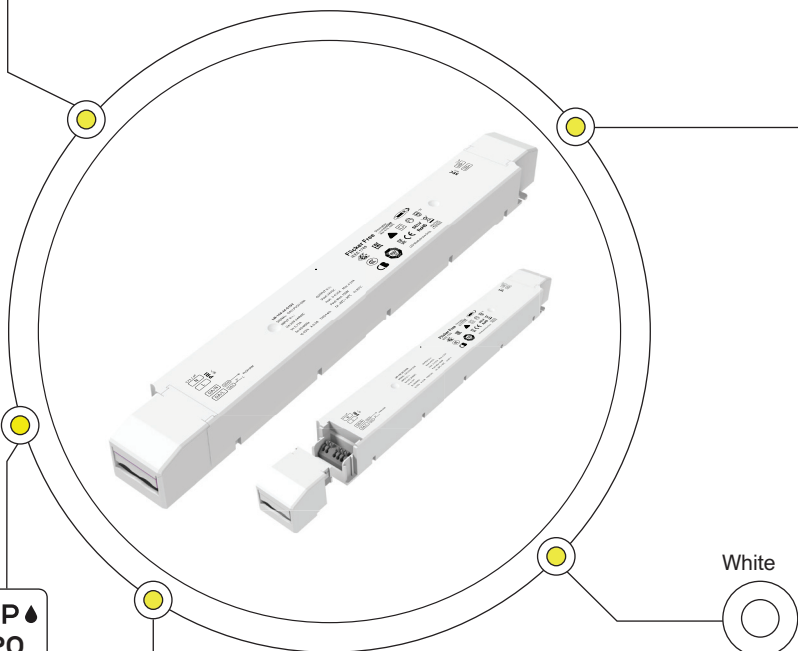
APPLICATION AREAS

LED Lighting Applications

TECHNICAL DATA

POWER SUPPLY FEED - TRIAC ELV PUSH DIM				
	LED75TD12	LED75TD24	LED150TD12	LED150TD24
MATERIAL	PLASTIC	PLASTIC	PLASTIC	PLASTIC
TYPE	TRIAC	TRIAC	TRIAC	TRIAC
IP RATING	IP20	IP20	IP20	IP20
OUTPUT POWER	75W	75W	150W	150W
INPUT VOLTAGE	220-240V	220-240V	220-240V	220-240V
OUTPUT VOLTAGE	DC12V	DC24V	DC12V	DC24V
AMPERE (A)	6.25A	3.12A	12.5A	6.25A
DIMENSIONS (L x W x H)	293 x 43 x 30mm	293 x 43 x 30mm	273 x 57 x 37mm	273 x 57 x 37mm

*Non-Waterproof
Triac Drivers*



+IP
20



✓
5 YRS

PHYSICAL DATA

FEATURES

- Dimming interface: 0-10V(1-10V/10V PWM/RX), Push Dim
- Fully-protected plastic housing with removable end cover which is for convenient adjustments of length of drivers
- With soft-on and fade-in function, visually more comfortable
- Dimmable 0.1 -100% , Flicker-free, High frequency exemption level
- Automatic recognition of 0-10V, 1-10V input signal
- Ultra-low consumption of 0-10V ports
- High efficiency driver with innovative thermal management technology, intelligent power life protection
- Over-heat / Over voltage / Over load / Short circuit protection / Recover automatically
- Compliant with Safety Extra Low Voltage Standard
- Rated life: 50 000hrs

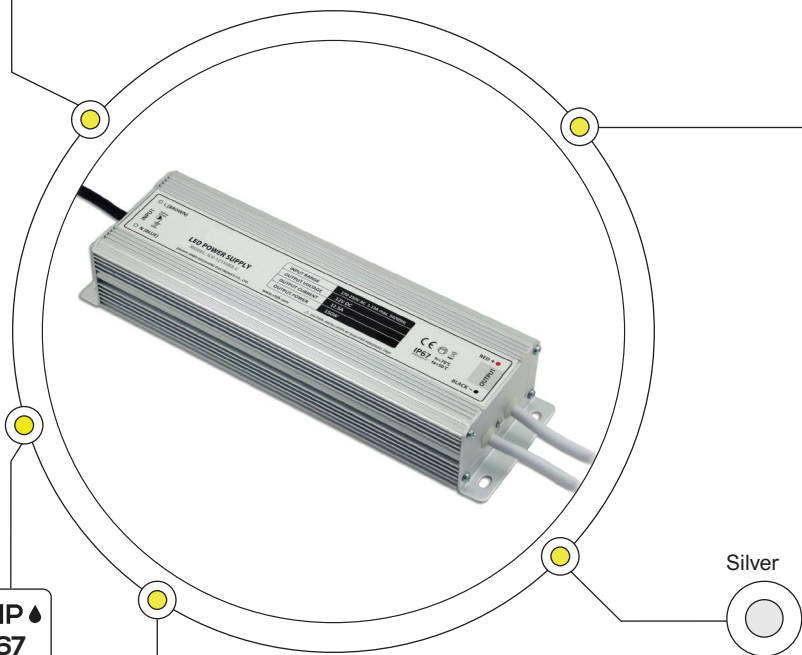
MOUNTING: Subject to application, Breathable environment

APPLICATION AREAS: LED Lighting Applications

TECHNICAL DATA

POWER SUPPLY FEED - 0-10V PUSH DIM				
	LED75ADDALI2V	LED75ADDALI24V	LED150ADDALI12V	LED150ADDALI24V
MATERIAL	PLASTIC	PLASTIC	PLASTIC	PLASTIC
TYPE	0-10V PUSH DIM	0-10V PUSH DIM	0-10V PUSH DIM	0-10V PUSH DIM
IP RATING	IP20	IP20	IP20	IP20
OUTPUT POWER	75W	75W	150W	150W
INPUT VOLTAGE	220-240V	220-240V	220-240V	220-240V
OUTPUT VOLTAGE	DC12V	DC24V	DC12V	DC24V
AMPERE (A)	6.25A	3.12A	12.5A	6.25A
DIMENSIONS (L x W x H)	293 x 43 x 30mm	293 x 43 x 30mm	352 x 43 x 30mm	352 x 43 x 30mm

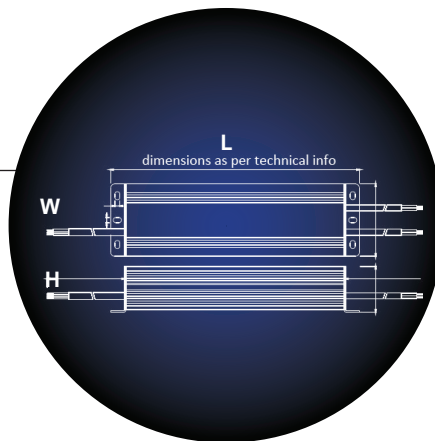
*Non-Waterproof
0-10V Drivers*



+ IP 67

✓
2 YRS

Silver



PHYSICAL DATA

FEATURES

- Overload Short-circuit Protection
- Compact / Slim size for easy installation
- High transfer efficiency
- Wide input range
- 100% full loading
- 100% burn-in tested

MOUNTING

- Subject to application
- 50mm gap between drivers
- Breathable environment

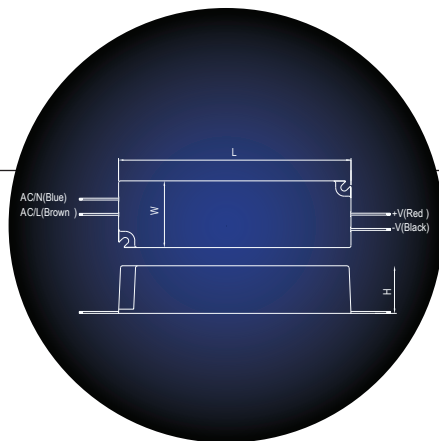
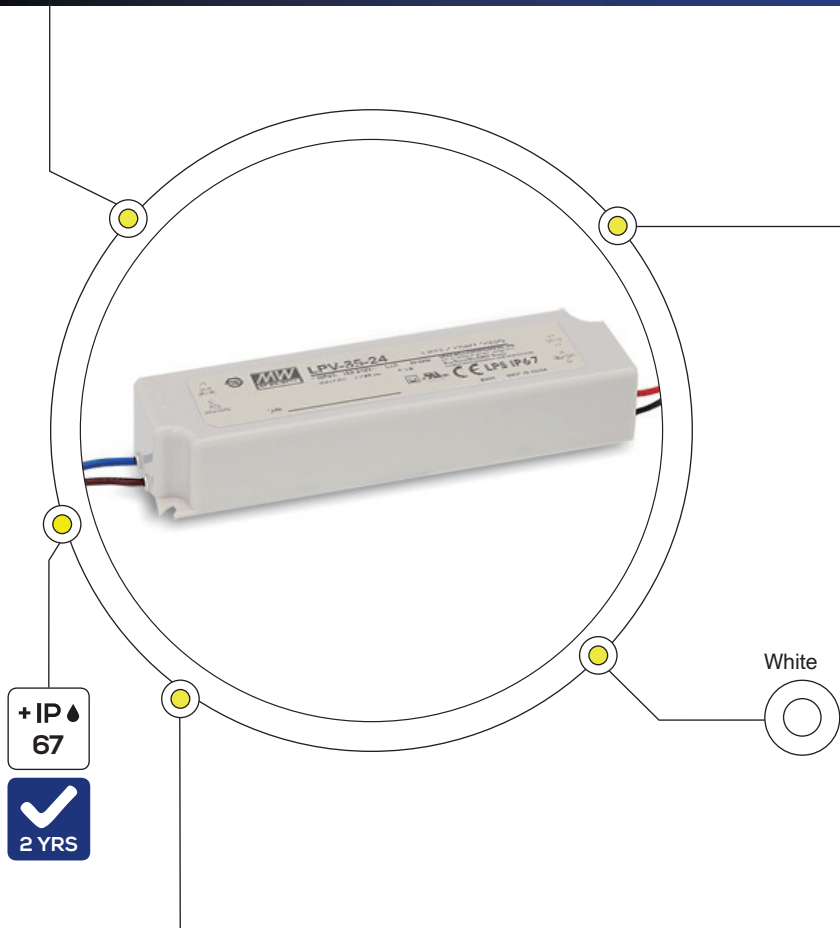
APPLICATION AREAS

LED Lighting Applications

TECHNICAL DATA

POWER SUPPLY FEED		
	LBL60WP12VJ	LBL150WP12VJ
MATERIAL	ALUMINIUM	ALUMINIUM
TYPE	LED DRIVER	LED DRIVER
IP RATING	IP67	IP67
OUTPUT POWER	60W	150W
INPUT VOLTAGE	170-250V	170-250V
OUTPUT VOLTAGE	DC12V	DC12V
AMPERE (A)	5A	12.5
DIMENSIONS (L x W x H)	195 x 52 x 35mm	244 x 71 x 45mm

Waterproof Drivers



PHYSICAL DATA

FEATURES

- Fully encapsulated, isolated plastic case
- Constant voltage design
- Universal AC input / Full range
- Withstand 300VAC surge input for 5 seconds
- Protections: Short circuit / Overload / Over voltage
- Cooling by free air convection
- Class II power unit, no FG
- Pass LPS
- 100% full load burn-in test
- Low cost, high reliability

MOUNTING

- Subject to application
- 50mm gap between drivers, Breathable environment

APPLICATION AREAS

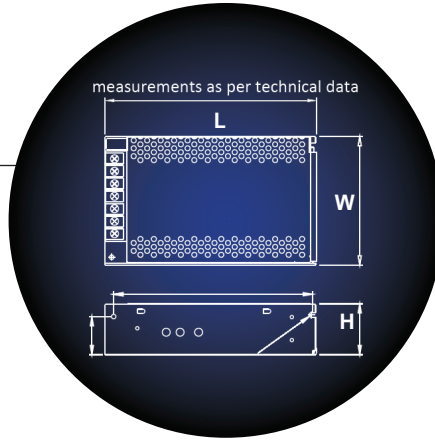
LED Lighting Applications

TECHNICAL DATA

POWER SUPPLY FEED - NON DIMMABLE WATERPROOF

	LBL35WP12V	LBL35WP24V	LBL60WP12V	LBL60WP24V	LBL150WP12V	LBL150WP24V
MATERIAL	PLASTIC	PLASTIC	PLASTIC	PLASTIC	PLASTIC	PLASTIC
TYPE	LED DRIVER	LED DRIVER	LED DRIVER	LED DRIVER	LED DRIVER	LED DRIVER
IP RATING	IP67	IP67	IP67	IP67	IP67	IP67
OUTPUT POWER	36W	36W	60W	60W	120W	151.2W
INPUT VOLTAGE	90-370V	90-370V	90-370V	90-370V	180-305V	180-305V
AMPERE (A)	3A	1.5A	5A	2.5A	10A	6.3A
OUTPUT VOLTAGE	DC12V	DC24V	DC12V	DC24V	DC12V	DC24V
DIMENSIONS (L x W x H)	148 x 40 x 30mm	148 x 40 x 30mm	162.5 x 42.5 x 32mm	162.5 x 42.5 x 32mm	191 x 63 x 37.5mm	191 x 63 x 37.5mm

Waterproof Drivers



PHYSICAL DATA

FEATURES

- Overload Short-circuit Protection
- Compact / Slim size for easy installation
- High transfer efficiency
- Wide input range
- 100% full loading
- 100% burn-in tested

MOUNTING

- Subject to application
- 50mm gap between drivers
- Breathable environment

APPLICATION AREAS

LED Lighting Applications

+ IP
20

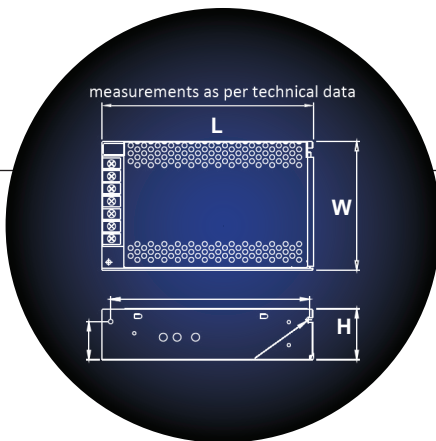
✓
3YRS

Silver

TECHNICAL DATA

POWER SUPPLY FEED				
	LBL60NWP12V	LBL60NWP24VJ	LBL120NWP24V	LBL150NWP12VJ
MATERIAL	ALUMINIUM	ALUMINIUM	ALUMINIUM	ALUMINIUM
TYPE	LED DRIVER	LED DRIVER	LED DRIVER	LED DRIVER
IP RATING	IP20	IP20	IP20	IP20
OUTPUT POWER	60W	60W	120W	150W
INPUT VOLTAGE	100-250V	100-250V	100-250V	100-250V
OUTPUT VOLTAGE	DC12V	DC24V	DC24V	DC12V
AMPERE (A)	5A	2.5A	5A	12.5A
DIMENSIONS (L x W x H)	110 x 78 x 35mm	110 x 78 x 35mm	160 x 98 x 38mm	160 x 98 x 38mm

*Non-Waterproof
Non-Dimmable Drivers*



PHYSICAL DATA

FEATURES

- Metallic mesh case enhances heat dissipation through free air convection
- High efficiency, long life and high reliability
- Low no-load power consumption
- Low profile design
- 100% full load burn-in test
- Withstand 5G vibration test
- Operating temperatures up to 5000m
- Short circuit protection / Overload / Over voltage / Over temperature Protection
- LED indicator for power on
- Over-voltage category III

MOUNTING

- Subject to application
- 50mm gap between drivers
- Breathable environment

APPLICATION AREAS

LED Lighting Applications

+ IP 20

3 YRS

Silver

TECHNICAL DATA

POWER SUPPLY FEED - NON DIMMABLE NON WATERPROOF

	LBL35NWP12	LBL35NWP24	LBL50NWP12	LBL50NWP24	LBL75NWP12	LBL75NWP24	LBL150NWP12	LBL150NWP12
MATERIAL	ALUMINIUM	ALUMINIUM	ALUMINIUM	ALUMINIUM	ALUMINIUM	ALUMINIUM	ALUMINIUM	ALUMINIUM
TYPE	LED DRIVER	LED DRIVER	LED DRIVER	LED DRIVER	LED DRIVER	LED DRIVER	LED DRIVER	LED DRIVER
IP RATING	IP20	IP20	IP20	IP20	IP20	IP20	IP20	IP20
OUTPUT POWER	36W	36W	50.4W	52.8W	72W	76.8W	150W	156W
INPUT VOLTAGE	230V	230V	85-264V	85-264V	85-264V	85-264V	85-370V	85-370V
OUTPUT VOLTAGE	DC12V / 3A	DC24V / 1.5A	DC12V / 4.2A	DC24V / 2.2A	DC12V / 6A	DC24V / 3.2A	DC212V / 12.5A	DC24V / 6.5A
DIMENSIONS (L x W x H)	99 x 82 x 30mm	99 x 82 x 30mm	99 x 82 x 30mm	99 x 82 x 30mm	99 x 97 x 30mm	99 x 97 x 30mm	159 x 97 x 30mm	159 x 97 x 30mm

Non-Waterproof Non-Dimmable Drivers

How long do LED Strip Lights Last?

Over time, LEDs gradually lose their light output similar to any artificial light source and 30,000 is the number of hours it generally takes for LED lights to diminish to 70% of their original light output

How do LED Strip lights work?

Individual LED Chips are mounted along the strip, typically 60 to 120 units per meter. The light colour and quality of the individual LEDs determine the overall light colour and quality of the LED strip. Simply peel off the liner, and mount the LED strip to a clean aluminium profile.

Can I cut the LED strip to size?

Cutting LED strips is very simple thanks to the cut lines along the strips. At each cut point there is a black line with copper solder pads that sit on each side. The copper solder pads are used to when connecting two pieces of strip together by carefully soldering it. This makes it possible to connect LED strips together.

Waterproof or Non-Waterproof?

LED strip lights are not limited to indoor projects. The waterproof LED strip lights are IP65 rated with a silicone resin material that protects the strip components from dust and moisture. The waterproof LED lights are a little more expensive but are a must for any project that is outdoors or close to water.

What size driver do I need for LED strip lights?

The length and the power consumption of the led strip determines the size (in watts) of the driver. We always recommend to select a driver that is at least +30% bigger than needed for it to not run at full capacity, and therefore increase its lifetime



**Where do I position the PIR?**

PIR should rather be installed behind a door with a lip and not dead centre of a double door, as the PIR can sometimes see between the gap of the doors or through the top of the door frame and trigger when you walk passed a closed door.

What do mean by 'LUMEN' output for brightness? What about the wattage?

A Lumen is the measurement of brightness as perceived by the human eye. Thanks to incandescent lighting, most of us used watts to measure the brightness of a light. Lumen output is one of the most important parts of choosing LED strip lights as it will determine how much light you will get from your strip.

If the product fails after the purchase or during the warranty period, who do I contact?

If a problem should arise you will contact our service department, who will guide you through the process of logging a service call. Should there be any manufacturing fault we will replace the strip under warranty. In the event of a 3rd party installation, our team will do an inspection and provide a report on their findings, Lights By Linea will not be liable for 3rd party installation defects. Any faulty product or installation defects, if installed by our team, will be replaced at no charge under the warranty.

Does the position of the profile matter when installing?

YES, LEDs are directional. This means that they put out light in a certain direction (like a flashlight), not all around (like a light bulb). The 'beam angle', is the effective range (in degrees) that the led chips emit light.



Cut-to-size – Cutting LED strips is very simple thanks to the cut lines along the strips. At each cut point there is a black line with copper solder pads that sit on each side.

When measuring for joinery, it is important to remember the space allowance between cut lines. This can result in “dead” areas...



Flexible LED strip with Adhesive – The LED strips have an adhesive backing for simple mounting options, making for a simple peel-and-stick install. It is very important that the aluminium surface that the strip will go onto is cleaned prior to sticking the strip into the channel. Any oily residue will cause 3M tape to lose come loose.



Waterproof or Non-Waterproof – LED strip lights are not limited to indoor projects. The waterproof LED strip lights are IP65 rated with a silicone resin material that protects the strip components from dust and moisture. The waterproof LED lights are a little more expensive but are a must for any project that is outdoors or close to water.





12V LED strips to be powered every 5m
24V LED strips to be powered every 10m
12V / 24V Drivers to be placed no further than 8m from the beginning of the LED strip

Avoid using long wires with large currents – it is better to locate the power supply closer to the center or to use additional power supplies. Long wires are prone to voltage drops (dimming) and fires.

Feeding long strips – Inside the LED strip there is not much space for heavy wire, the result is that the thin copper will cause a noticeable volt drop (and dimming).

Connections and joints – Always cut strips where the maker indicates. To extend them, you can overlap and solder, or use connecting strips. Always protect joints against the weather with heat-shrink tubing or insulation. NEVER use silicone sealant on top of or close to LEDs, as it penetrates the protective coating of the strip and will kill the LEDs underneath it.

DESIGN & TECHNICAL CERTAINTY