

For the love of light
FLUA

LUNA S

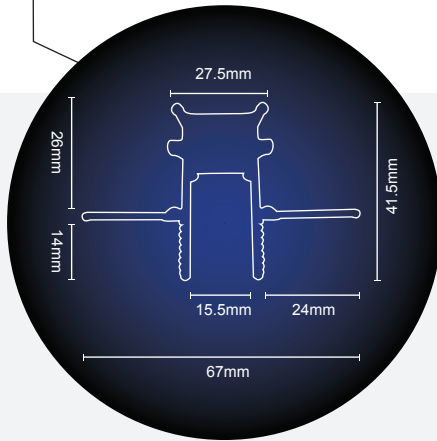
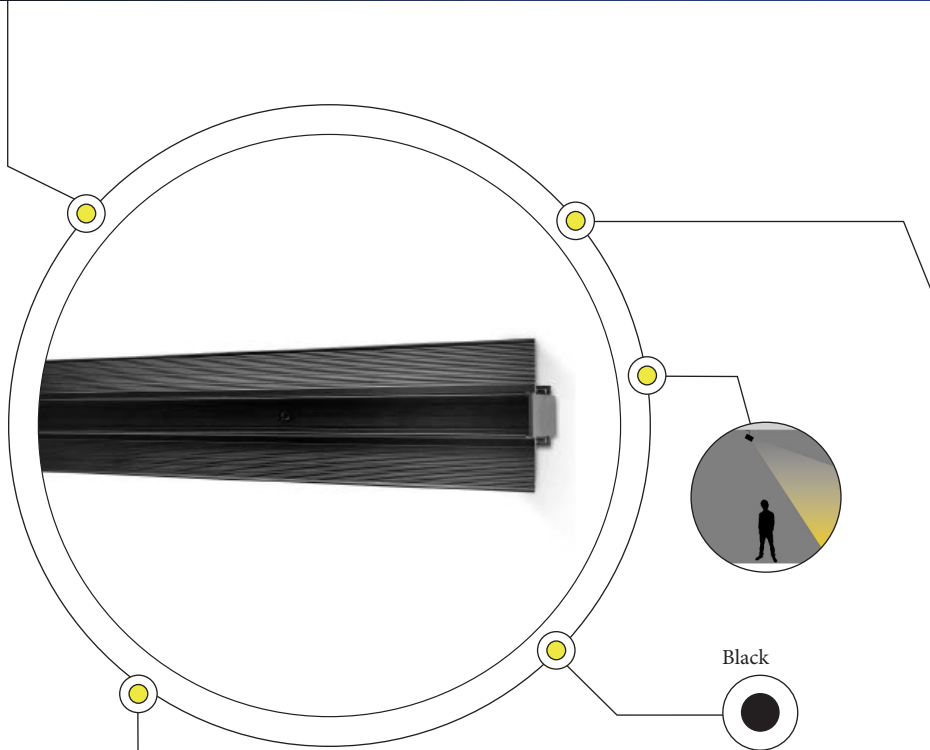
LUNA S

LUNA is a compact and comprehensive lighting track system with magnetically installed luminaires

Luna provides a great choice for designers and architects with its easy, aesthetically pleasing and diverse installation options. This allows for the enhancement of the architectural design details and the space as a whole

With a wide choice of magnetic luminaires which provide lighting flexibility, their sharp minimalist design also provides style and elegance for any project





PHYSICAL DATA

FEATURES

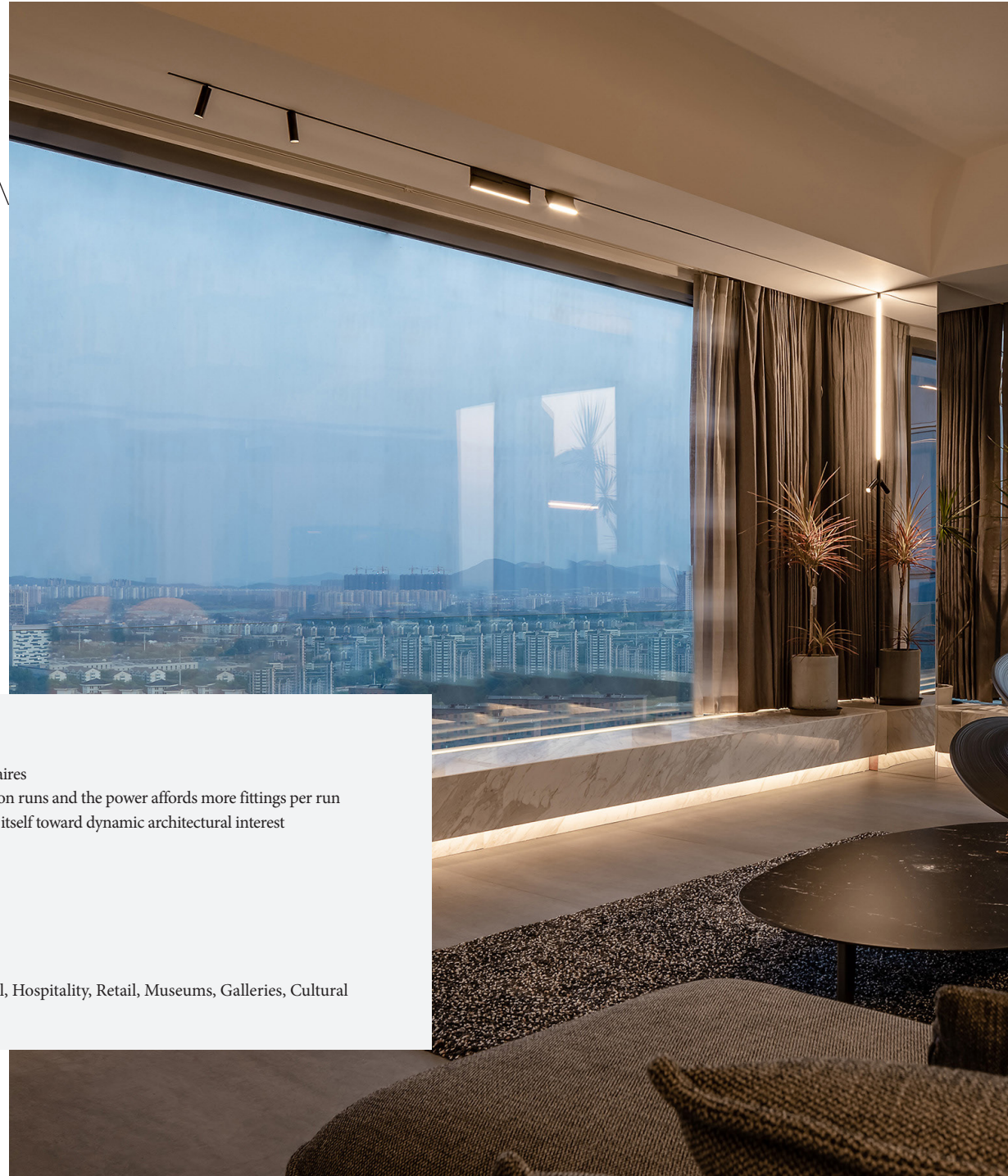
- Material: Aluminium
- Magnetic installation of luminaires
- 48V allows for longer installation runs and the power affords more fittings per run
- Recessed slimline profile lends itself toward dynamic architectural interest
- PWM Dimmable

MOUNTING

Recessed

APPLICATION AREAS

Indoor, Commercial, Residential, Hospitality, Retail, Museums, Galleries, Cultural Centres





TECHNICAL DATA

POWER SUPPLY FEED

	LF001569	LF001290	LF001291	LF001292	LF001293
OPERATING VOLTAGE	48V	48V	48V	48V	48V
MODEL	S DC-24/48-0.5M	S DC-24/48-1M	S DC-24/48-1.5M	S DC-24/48-2M	S DC-24/48-2.5M
DIMENSIONS	500 x 66.8 x 41.5mm	1000 x 66.8 x 41.5mm	1500 x 66.8 x 41.5mm	2000 x 66.8 x 41.5mm	2500 x 66.8 x 41.5mm
CUT OUT SIZE	500 x 35mm	1000 x 35mm	1500 x 35mm	2000 x 35mm	2500 x 35mm

INTERMEDIATE TRACK

	LF001570	LF001297	LF001298	LF001299	LF001300
OPERATING VOLTAGE	48V	48V	48V	48V	48V
MODEL	S DC-24/48C-0.5M	S DC-24/48C-1M	S DC-24/48C-1.5M	S DC-24/48C-2M	S DC-24/48C-2.5M
DIMENSIONS	500 x 66.8 x 41.5mm	1000 x 66.8 x 41.5mm	1500 x 66.8 x 41.5mm	2000 x 66.8 x 41.5mm	2500 x 66.8 x 41.5mm
CUT OUT SIZE	500 x 35mm	1000 x 35mm	1500 x 35mm	2000 x 35mm	2500 x 35mm





LUNA S CORNER L1
LF001374

MODEL	S DC-24/48-L1
OPERATING VOLTAGE	48V
COLOURS	BLACK
WARRANTY	3 YRS
DIMENSIONS	149 x 149 x 66.8mm



LUNA S CORNER L2
LF001375

MODEL	S DC-24/48-L2
OPERATING VOLTAGE	48V
COLOURS	BLACK
WARRANTY	3 YRS
DIMENSIONS	149 x 149 x 66.8mm



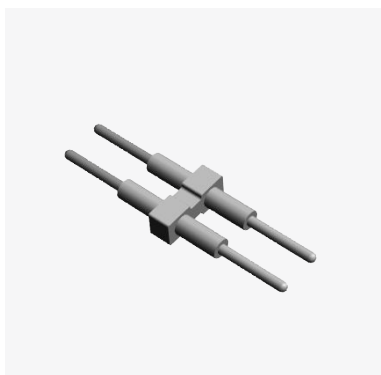
LUNA S CORNER L3
LF001376

MODEL	S DC-24/48-L3
OPERATING VOLTAGE	48V
COLOURS	BLACK
WARRANTY	3 YRS
DIMENSIONS	174.5x174.5x41.5mm



LUNA S CONNECTOR
LF001377

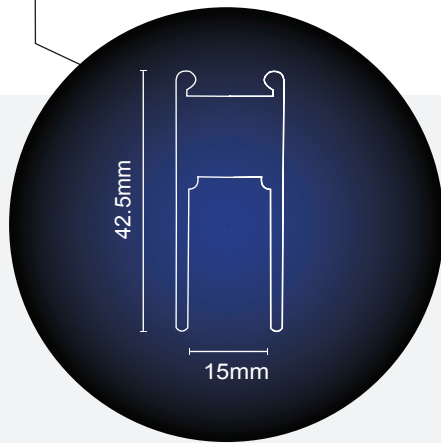
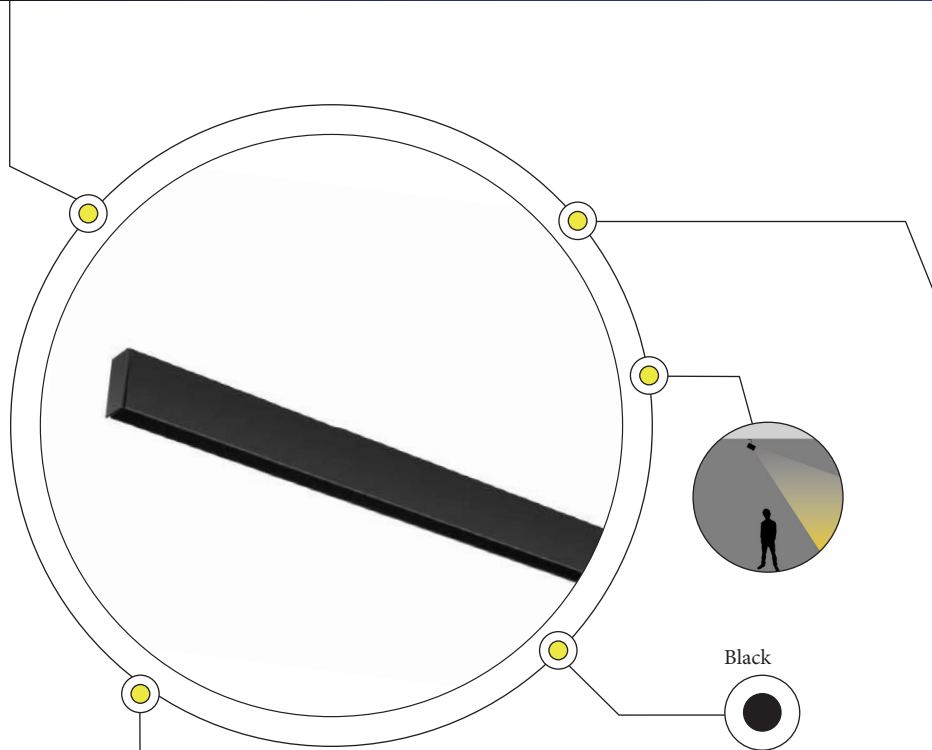
MODEL	S DC-24/48-I
OPERATING VOLTAGE	24V / 48V
COLOURS	BLACK
WARRANTY	3 YRS
DIMENSIONS	100 x 27 x 11.3mm



LUNA S/M PIN
LF001680

MODEL	S/M PIN
OPERATING VOLTAGE	48V
COLOURS	CREAM
WARRANTY	3 YRS
DIMENSIONS	26 x 7.5 x 2.8mm





PHYSICAL DATA

FEATURES

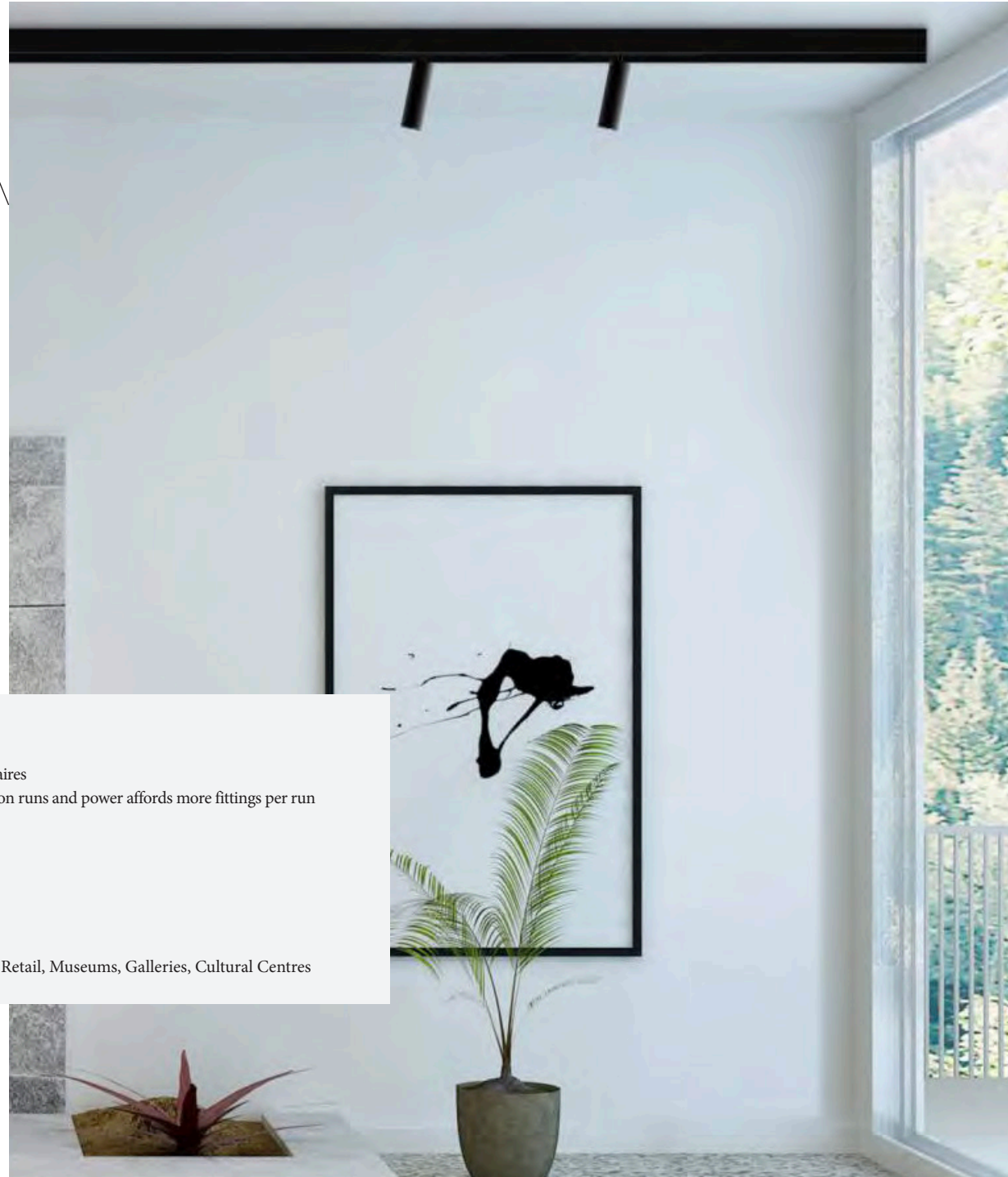
- Material: Aluminium
- Magnetic installation of luminaires
- 48V allows for longer installation runs and power affords more fittings per run
- PWM Dimmable

MOUNTING

Surface

APPLICATION AREAS

Indoor, Residential, Hospitality, Retail, Museums, Galleries, Cultural Centres





TECHNICAL DATA

POWER SUPPLY FEED

	LF001584	LF001574	LF001575	LF001576	LF001577
OPERATING VOLTAGE	48V	48V	48V	48V	48V
MODEL	S ON DC-24/48-0.5M	S ON DC-24/48-1M	S ON DC-24/48-1.5M	S ON DC-24/48-2M	S ON DC-24/48-2.5M
DIMENSIONS	500 x 42.3 x 18mm	1000 x 42.3 x 18mm	1500 x 42.3 x 18mm	2000 x 42.3 x 18mm	2500 x 42.3 x 18mm

INTERMEDIATE TRACK

	LF001585	LF001579	LF001580	LF001581	LF001582
OPERATING VOLTAGE	48V	48V	48V	48V	48V
MODEL	S ON DC-24/48C-0.5M	S ON DC-24/48C-1M	S ON DC-24/48C-1.5M	S ON DC-24/48C-2M	S ON DC-24/48C-2.5M
DIMENSIONS	500 x 42.3 x 18mm	1000 x 42.3 x 18mm	1500 x 42.3 x 18mm	2000 x 42.3 x 18mm	2500 x 42.3 x 18mm





LUNA S CORNER L1
LF001586

MODEL	S DC-24/48-L1
OPERATING VOLTAGE	48V
COLOURS	BLACK
WARRANTY	3 YRS
DIMENSIONS	150 X 150 X 18mm



LUNA S CORNER L2
LF001587

MODEL	S DC-24/48-L2
OPERATING VOLTAGE	48V
COLOURS	BLACK
WARRANTY	3 YRS
DIMENSIONS	150 X 150 X 42.3mm



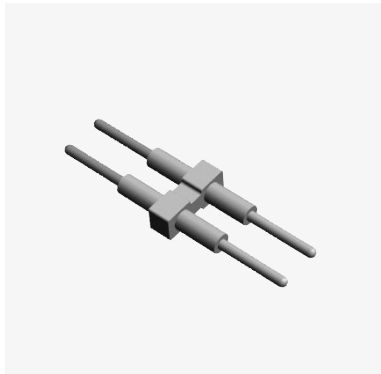
LUNA S MOUNT CLIP L3
LF001589

MODEL	S DC-24/48-L3
OPERATING VOLTAGE	48V
COLOURS	BLACK WHITE
WARRANTY	3 YRS
DIMENSIONS	68 x 12.3 x 6mm



LUNA S CONNECTOR
LF001377

MODEL	S DC-24/48-I
OPERATING VOLTAGE	24V / 48V
COLOURS	BLACK
WARRANTY	3 YRS
DIMENSIONS	100 x 27 x 11.3mm



LUNA S/M PIN
LF001680

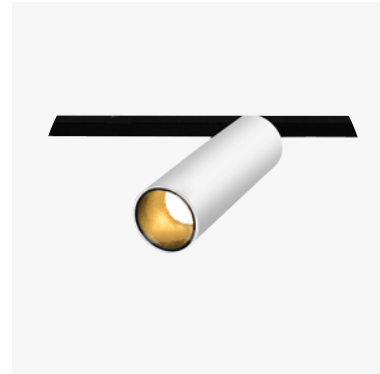
MODEL	S/M PIN
OPERATING VOLTAGE	48V
COLOURS	CREAM
WARRANTY	3 YRS
DIMENSIONS	26 x 7.5 x 2.8mm





LUNA S SPOT
LF521311

OPERATING VOLTAGE	48V
SYSTEM POWER (W)	9.7W
DRIVER	N/A
CCT (K)	2700 / 3000 / 4000K
BEAM ANGLE	14°
WARRANTY	3 YRS
DIMENSIONS	∅30 x 125 x 186mm
COLOURS	BLACK WHITE BLACK & GOLD



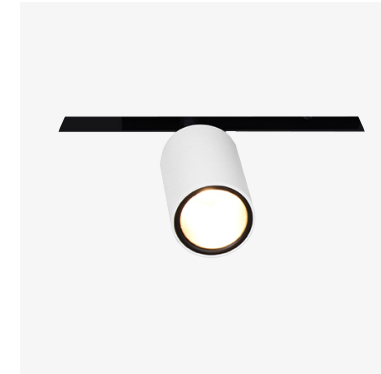
ARCA CS SPOT 7
LF527611

OPERATING VOLTAGE	48V
SYSTEM POWER (W)	6.8W
DRIVER	N/A
CCT (K)	2700 / 3000 / 4000K
BEAM ANGLE	14°
WARRANTY	3 YRS
DIMENSIONS	∅30 x 125 x 186mm
COLOURS	BLACK WHITE BLACK & GOLD



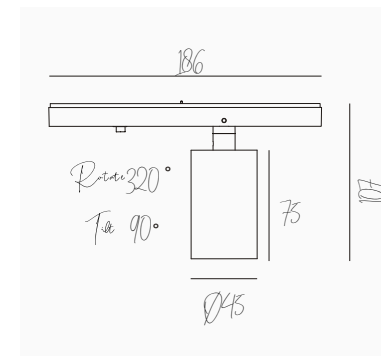
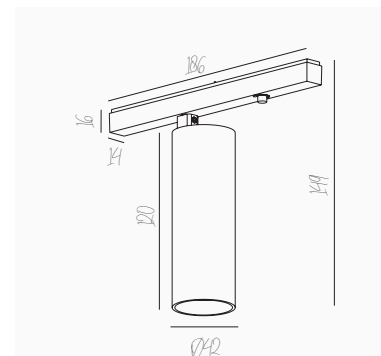
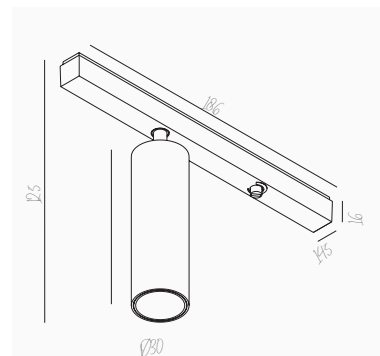
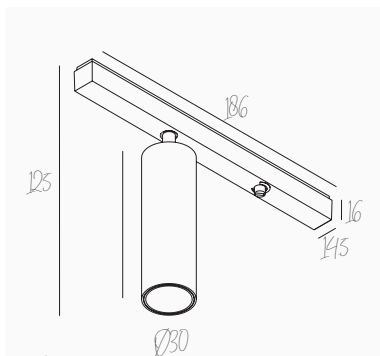
ARCA CS SPOT 12
LF522015E

OPERATING VOLTAGE	48V
SYSTEM POWER (W)	11.6W
DRIVER	N/A
CCT (K)	2700 / 3000 / 4000K
BEAM ANGLE	26°
WARRANTY	3 YRS
DIMENSIONS	∅42 x 120 x 186mm
COLOURS	BLACK WHITE BLACK & GOLD



FAVOR CS S
LF531019ETD

OPERATING VOLTAGE	48V
SYSTEM POWER (W)	9.6W
DRIVER	TOUCH DIM
CCT (K)	3000K
BEAM ANGLE	19° / 28°
WARRANTY	3 YRS
DIMENSIONS	∅45 x 75 x 14mm
COLOURS	BLACK WHITE

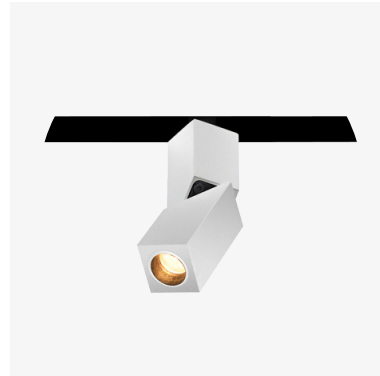


Track Spot Lighting



HUNTER CS M
LF521911

OPERATING VOLTAGE	48V
SYSTEM POWER (W)	8.2W
DRIVER	N/A
CCT (K)	2700 / 3000 / 4000K
BEAM ANGLE	6°
WARRANTY	3 YRS
DIMENSIONS	∅65 x 186 x 65mm
COLOURS	BLACK BLACK & GOLD



TURN CS MINI
LF523517

OPERATING VOLTAGE	48V
SYSTEM POWER (W)	1.2W
DRIVER	N/A
CCT (K)	2700 / 3000 / 4000K
BEAM ANGLE	22°
WARRANTY	3 YRS
DIMENSIONS	18 x 92 x 186mm
COLOURS	BLACK



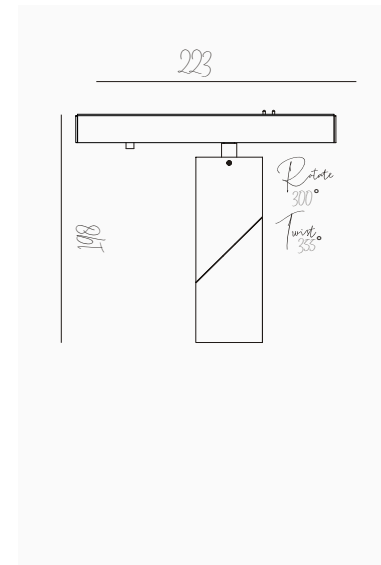
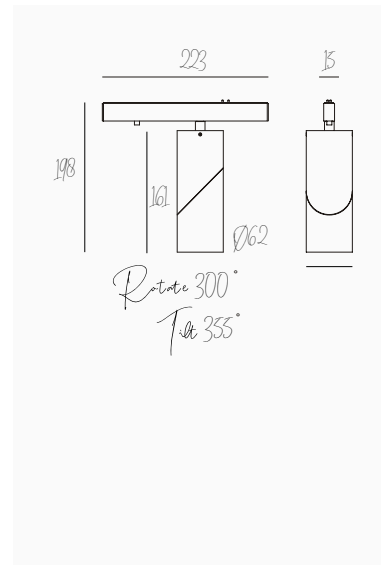
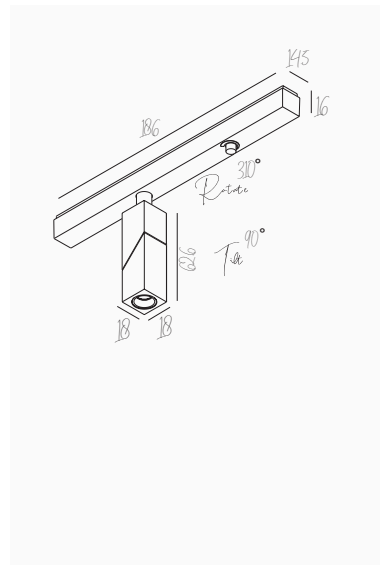
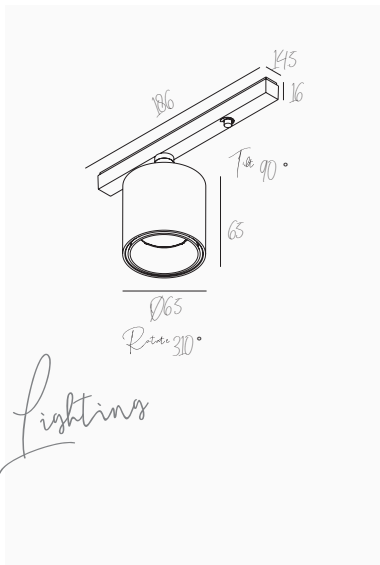
TURN CS S
LF532219ETD

OPERATING VOLTAGE	48V
SYSTEM POWER (W)	7.5W
DRIVER	TOUCH DIM
CCT (K)	2700 / 3000 / 4000K
BEAM ANGLE	28° / 38° / 48°
WARRANTY	3 YRS
DIMENSIONS	∅62 x 161mm
COLOURS	BLACK



TURN CS S SQUARED
LF532619ETD

OPERATING VOLTAGE	48V
SYSTEM POWER (W)	7.5W
DRIVER	TOUCH DIM
CCT (K)	2700 / 3000 / 4000K
BEAM ANGLE	28° / 38° / 48°
WARRANTY	3 YRS
DIMENSIONS	57 x 57 x 161mm
COLOURS	BLACK

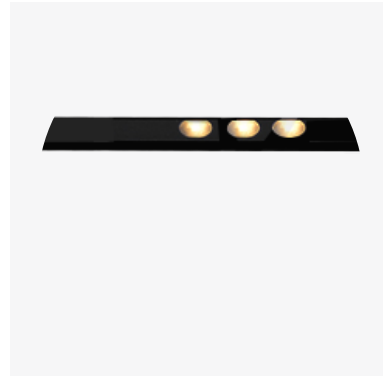


Track Spot Lightings



LUNA S IN SPOT 3
LF520317

OPERATING VOLTAGE	48V
SYSTEM POWER (W)	3.5W
DRIVER	N/A
CCT (K)	2700 / 3000 / 4000K
BEAM ANGLE	20°
WARRANTY	3 YRS
DIMENSIONS	100 x 24.5 x 14.6mm
COLOURS	BLACK



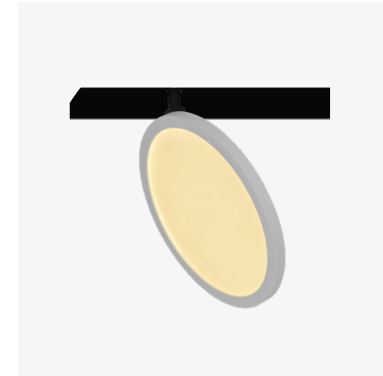
LUNA S IN SPOT 3X1
LF522217

OPERATING VOLTAGE	48V
SYSTEM POWER (W)	3.7W
DRIVER	N/A
CCT (K)	2700 / 3000 / 4000K
BEAM ANGLE	18°
WARRANTY	3 YRS
DIMENSIONS	150 x 28.5 x 14.6mm
COLOURS	BLACK



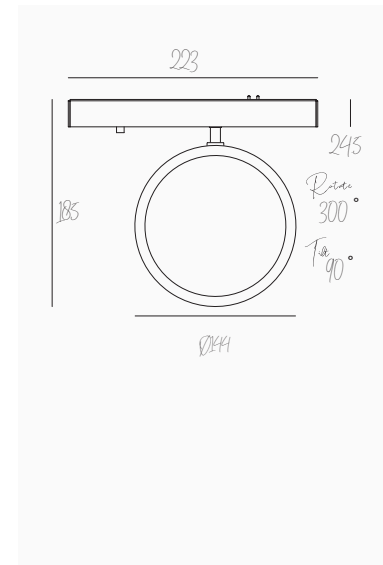
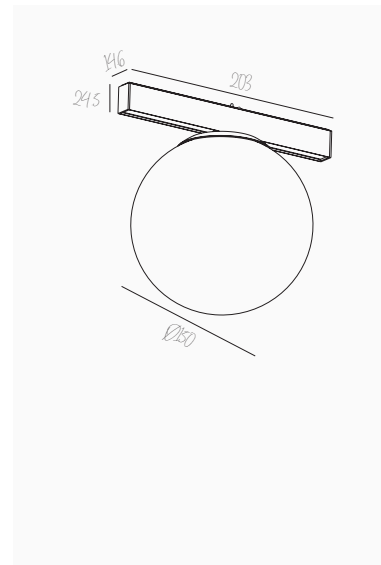
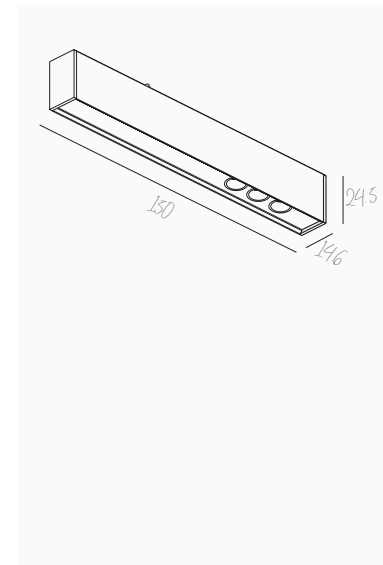
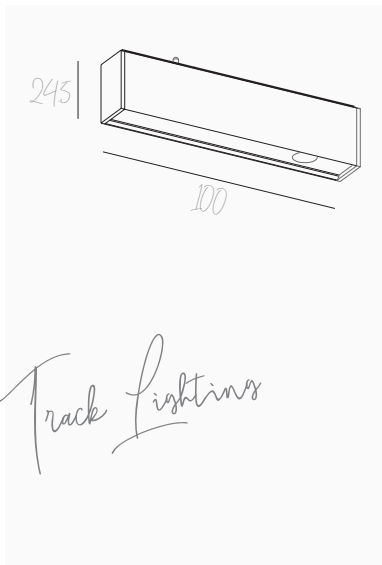
ELF CS
LF523619E

OPERATING VOLTAGE	48V
SYSTEM POWER (W)	7.5W
DRIVER	N/A
CCT (K)	3000K
BEAM ANGLE	180°
WARRANTY	3 YRS
DIMENSIONS	∅150 x 24.5 x 14.5mm
COLOURS	BLACK CHAMPAGNE GOLD BLACK & GOLD PLAIN GOLD



FLAT CS
LF523414

OPERATING VOLTAGE	48V
SYSTEM POWER (W)	14W
DRIVER	N/A
CCT (K)	2700 / 3000 / 4000K
BEAM ANGLE	180°
WARRANTY	3 YRS
DIMENSIONS	144 x 185 x 8mm
COLOURS	WHITE



Decorative Track Lightings



LUNA S ON 5
LF521114

OPERATING VOLTAGE	48V
SYSTEM POWER (W)	5.2W
DRIVER	N/A
CCT (K)	2700 / 3000 / 4000K
BEAM ANGLE	180°
WARRANTY	3 YRS
DIMENSIONS	150 x 105 x 14.6mm
COLOURS	BLACK CHAMPAGNE GOLD BLACK & GOLD



LUNA S ON 10
LF521214

OPERATING VOLTAGE	48V
SYSTEM POWER (W)	10W
DRIVER	N/A
CCT (K)	2700 / 3000 / 4000K
BEAM ANGLE	180°
WARRANTY	3 YRS
DIMENSIONS	300 x 105 x 14.6mm
COLOURS	BLACK CHAMPAGNE GOLD BLACK & GOLD



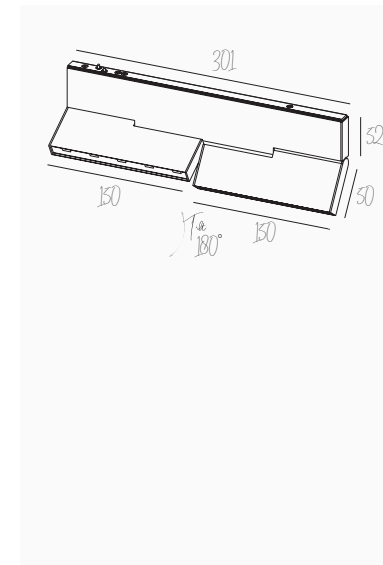
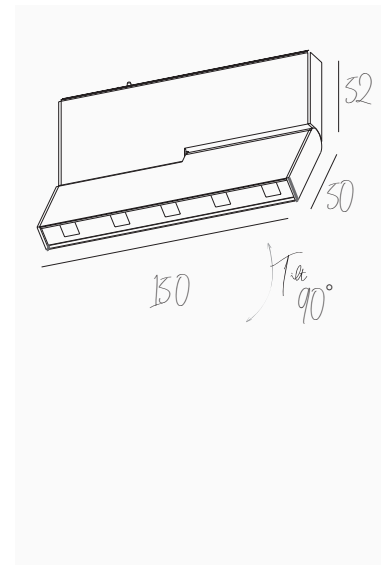
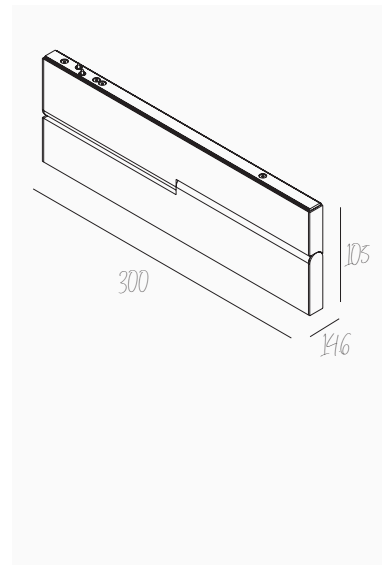
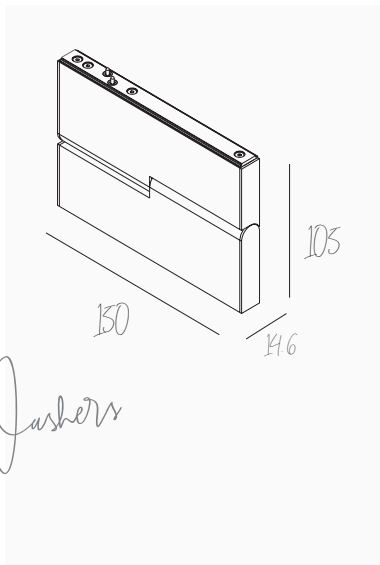
LUNA S ON SPOT 5
LF520417

OPERATING VOLTAGE	48V
SYSTEM POWER (W)	5.5W
DRIVER	N/A
CCT (K)	2700 / 3000 / 4000K
BEAM ANGLE	20°
WARRANTY	3 YRS
DIMENSIONS	150 x 102 x 14.6mm
COLOURS	BLACK CHAMPAGNE GOLD



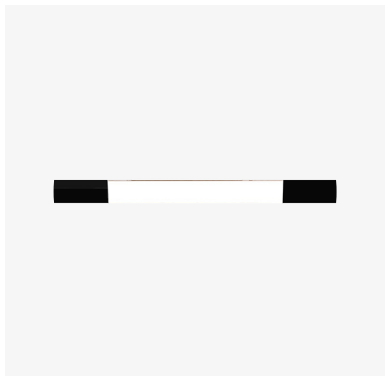
LUNA S ON SPOT 10
LF520527

OPERATING VOLTAGE	48V
SYSTEM POWER (W)	11.6W
DRIVER	N/A
CCT (K)	2700 / 3000 / 4000K
BEAM ANGLE	20°
WARRANTY	3 YRS
DIMENSIONS	301 x 102 x 14.6mm
COLOURS	BLACK CHAMPAGNE GOLD



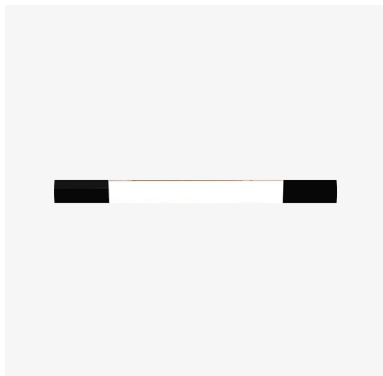
LUNA S LIGHTING OPTIONS

MOONLINE TRACK LIGHTS



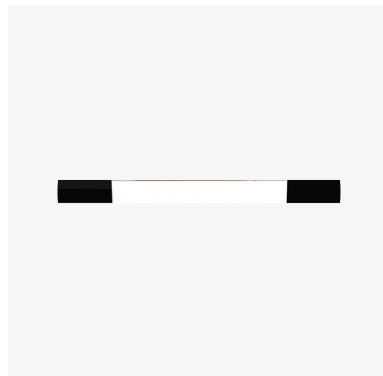
MOONLINE CS 300
LF520614

OPERATING VOLTAGE	48V
SYSTEM POWER (W)	11.3W
DRIVER	N/A
CCT (K)	2700 / 3000 / 4000K
BEAM ANGLE	180°
WARRANTY	3 YRS
DIMENSIONS	300 x 24.5 x 14.6mm
COLOURS	BLACK



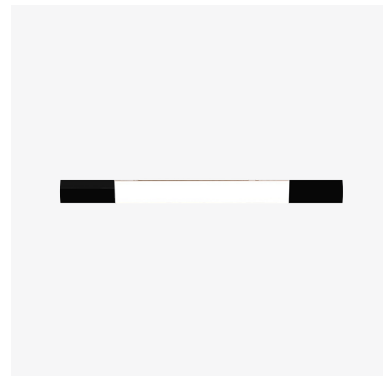
MOONLINE CS 600
LF520714

OPERATING VOLTAGE	48V
SYSTEM POWER (W)	20W
DRIVER	N/A
CCT (K)	2700 / 3000 / 4000K
BEAM ANGLE	180°
WARRANTY	3 YRS
DIMENSIONS	600 x 24.5 x 14.6mm
COLOURS	BLACK



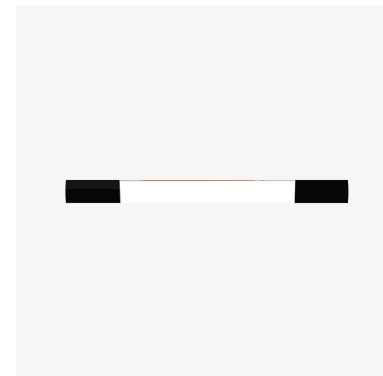
MOONLINE CS 900
LF520814

OPERATING VOLTAGE	48V
SYSTEM POWER (W)	30W
DRIVER	N/A
CCT (K)	2700 / 3000 / 4000K
BEAM ANGLE	180°
WARRANTY	3 YRS
DIMENSIONS	900 x 24.5 x 14.6mm
COLOURS	BLACK



MOONLINE CS 1200
LF520914

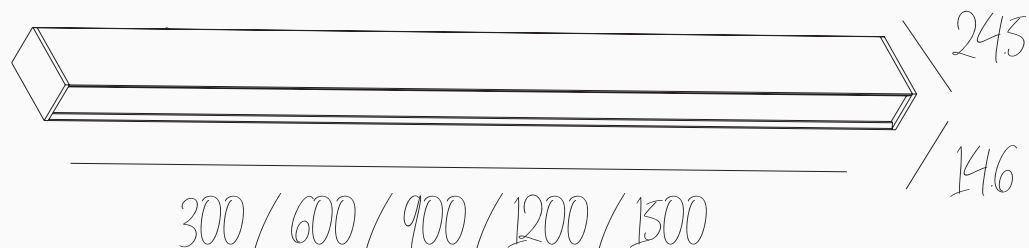
OPERATING VOLTAGE	48V
SYSTEM POWER (W)	40W
DRIVER	N/A
CCT (K)	2700 / 3000 / 4000K
BEAM ANGLE	180°
WARRANTY	3 YRS
DIMENSIONS	1190 x 24.5 x 14.6mm
COLOURS	BLACK



MOONLINE CS 1500
LF521014

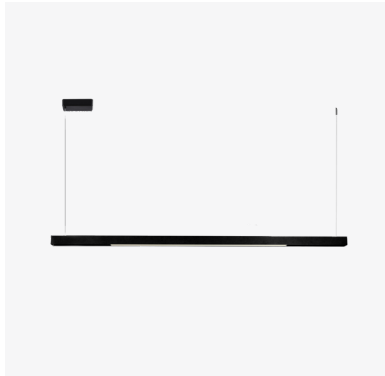
OPERATING VOLTAGE	48V
SYSTEM POWER (W)	50W
DRIVER	N/A
CCT (K)	2700 / 3000 / 4000K
BEAM ANGLE	180°
WARRANTY	3 YRS
DIMENSIONS	1490 x 24.5 x 14.6mm
COLOURS	BLACK

Moonline Track Lights



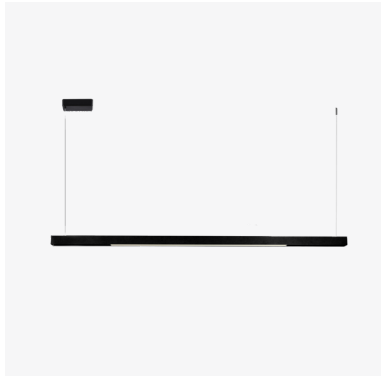
LUNA S LIGHTING OPTIONS

MOONLINE
TRACK LIGHTS



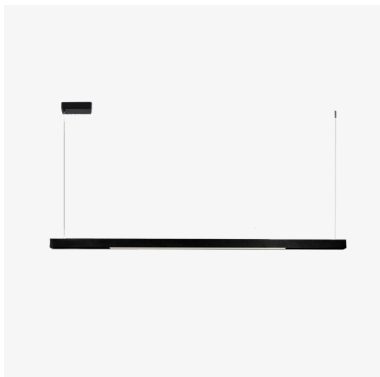
LUNA S P
LF002094

OPERATING VOLTAGE 100-240V
DRIVER 50W/24V LRS
WARRANTY 3 YRS
DIMENSIONS 1200 x 42.3 x 18mm
COLOURS BLACK



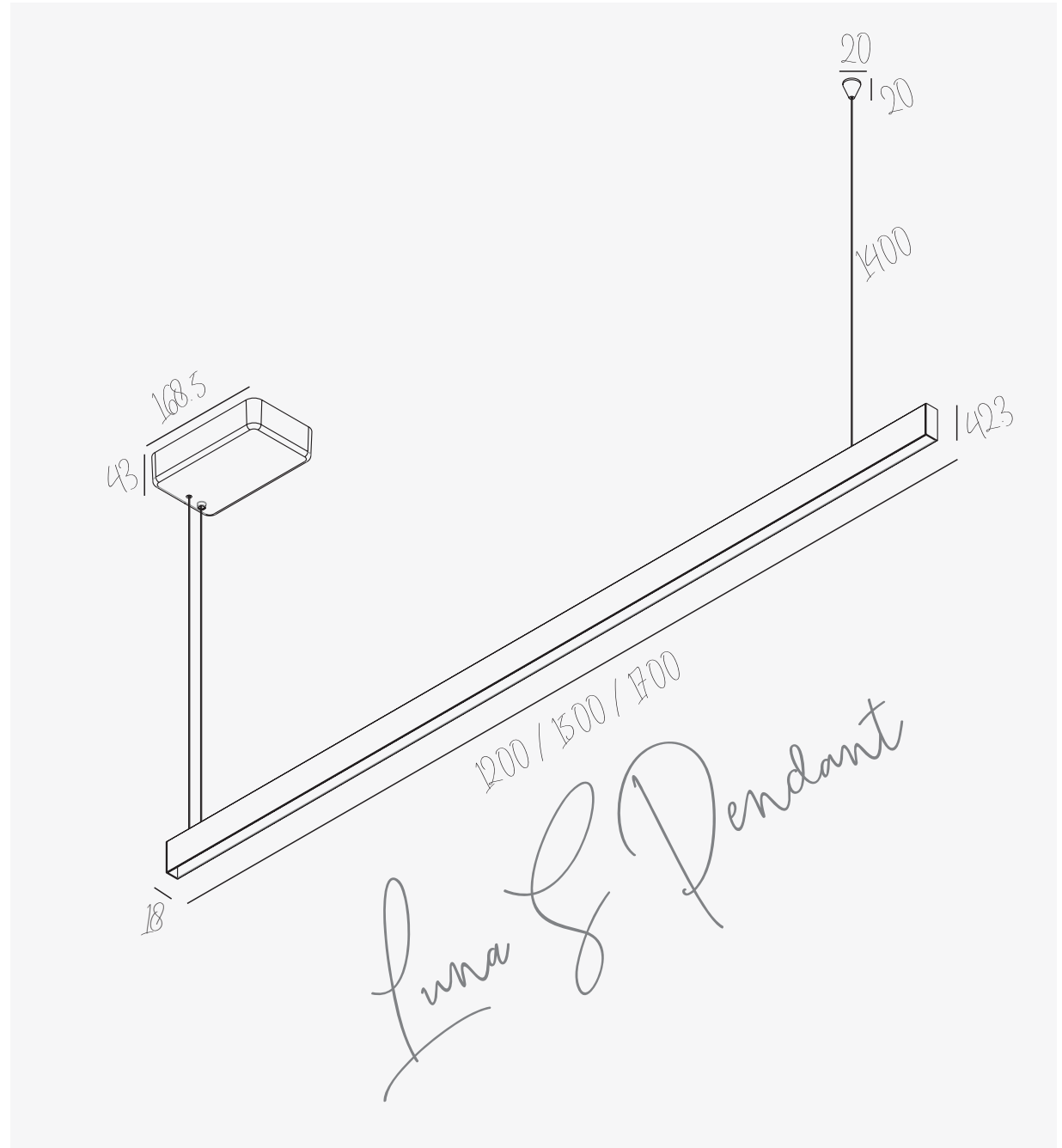
LUNA S P
LF002095

OPERATING VOLTAGE 100-240V
DRIVER 50W/24V LRS
WARRANTY 3 YRS
DIMENSIONS 1500 x 42.3 x 18mm
COLOURS BLACK



LUNA S P
LF002103

OPERATING VOLTAGE 100-240V
DRIVER 50W/24V LRS
WARRANTY 3 YRS
DIMENSIONS 1700 x 42.3 x 18mm
COLOURS BLACK



Dimensions shown: 500/1000/1500/2000/2500mm length, 41.5mm height, 66.8mm width.

Accessory Set: 2.0mm L-shaped pin, 11.3mm long connector, 100mm long connector, 2.8mm wide connector, 7.5mm wide connector.

FEED	MODEL	CODE	SIZE
	S DC-24/48-0.5M	001569	500mm
	S DC-24/48-1M	001290	1000mm
	S DC-24/48-1.5M	001291	1500mm
	S DC-24/48-2M	001292	2000mm
	S DC-24/48-2.5M	001293	2500mm

INTERMEDIATE	MODEL	CODE	SIZE
	S DC-24/48C-0.5M	001570	500mm
	S DC-24/48C-1M	001297	1000mm
	S DC-24/48C-1.5M	001298	1500mm
	S DC-24/48C-2M	001299	2000mm
	S DC-24/48C-2.5M	001300	2500mm
	S DC-24/48-L1	001374	
	S DC-24/48-L2	001375	
	S DC-24/48-L3	001376	
	S DC-24/48-I	001377	
	S/M PIN	001680	

Part numbers: 001376, 001375, 001374, 001377, 001680

1 PREINSTALLATION

Max distance per installation: 12m
 Max 180W/ 7.5A when powered from one side
 More than 180W, regardless of length, has to be ring fed

2

It is recommended to install the power supply next to the power box or the maintenance port.

100-240V AC

24/48V DC
 "+" Red
 "-" Black
 MAX 0.75m

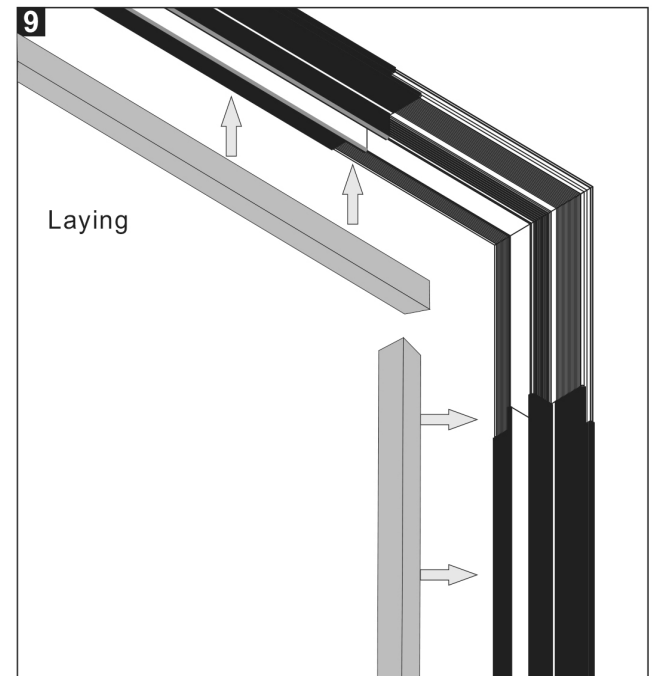
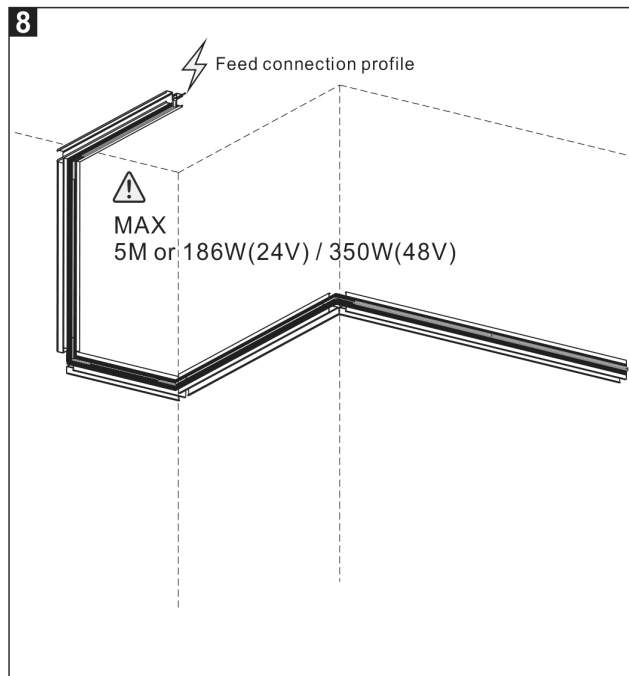
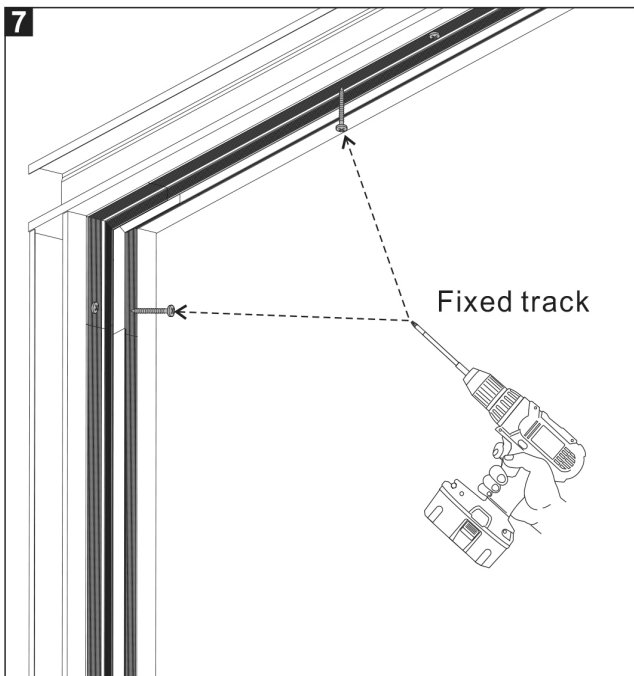
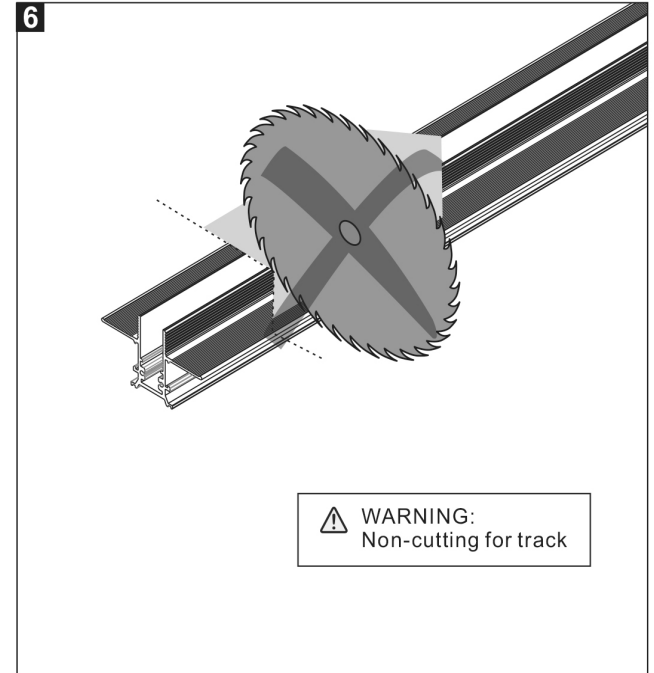
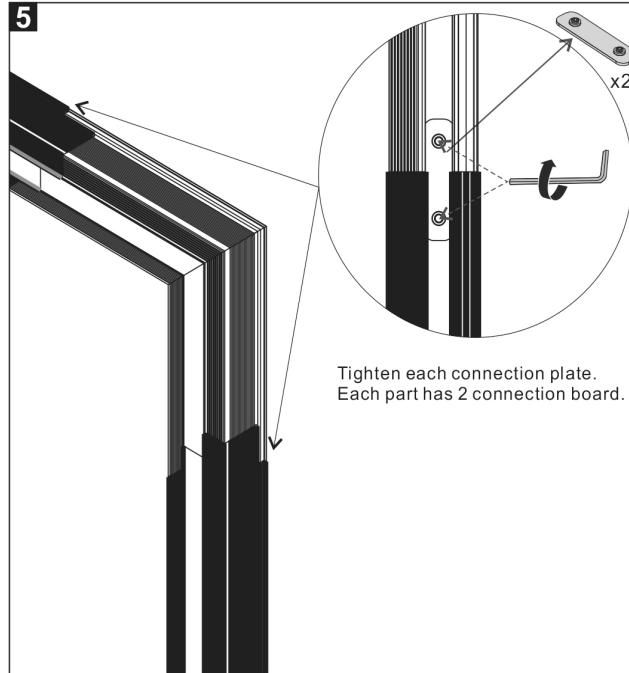
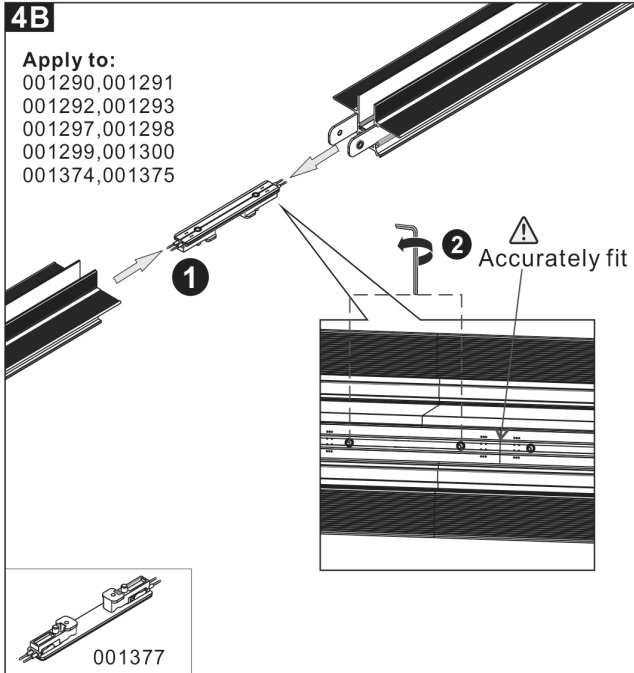
3 Take out

4A

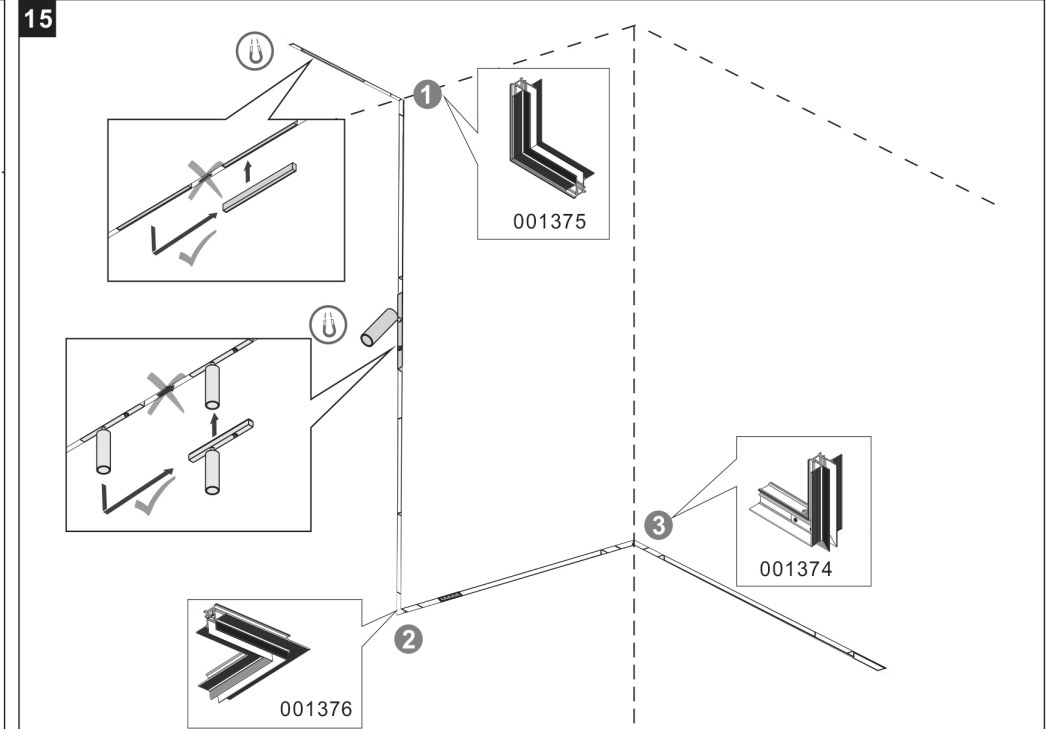
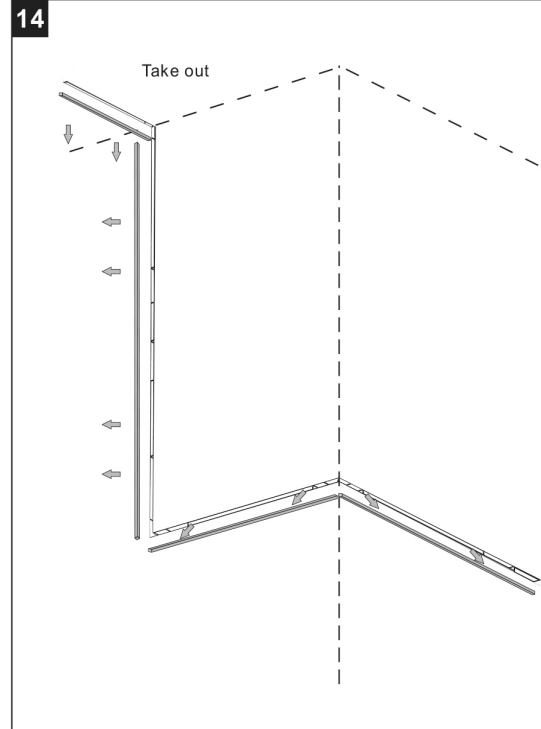
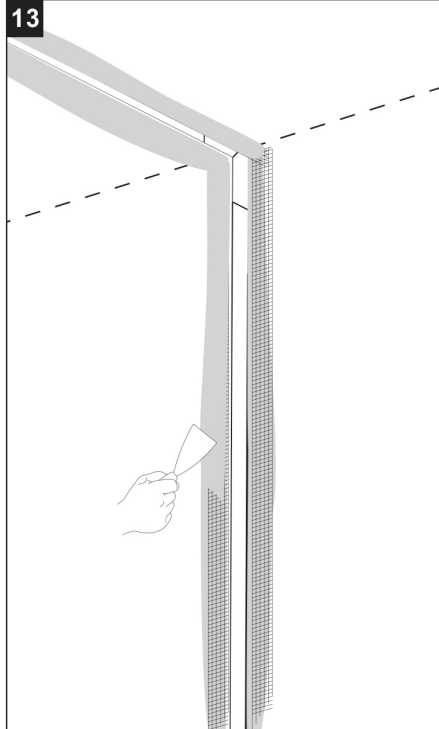
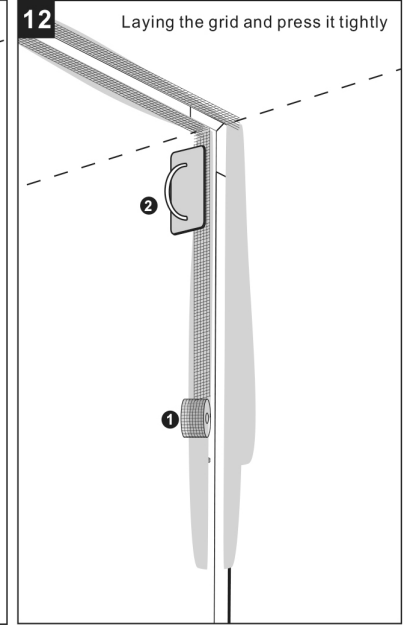
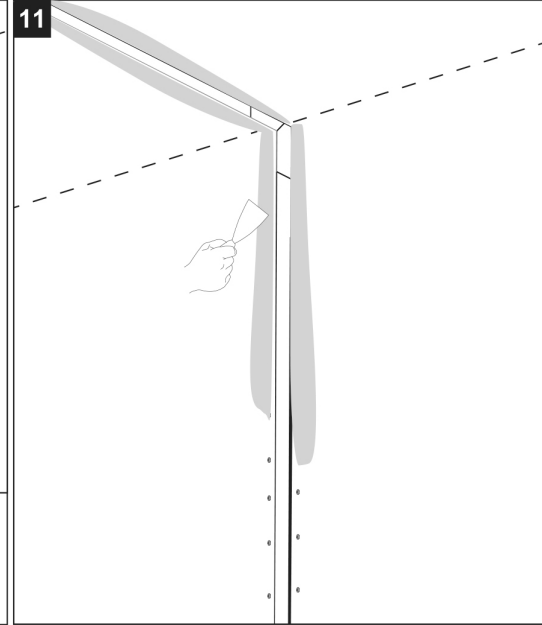
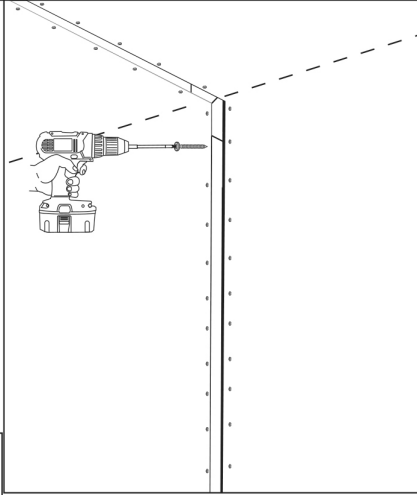
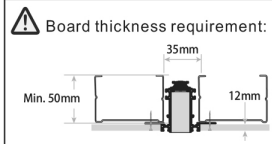
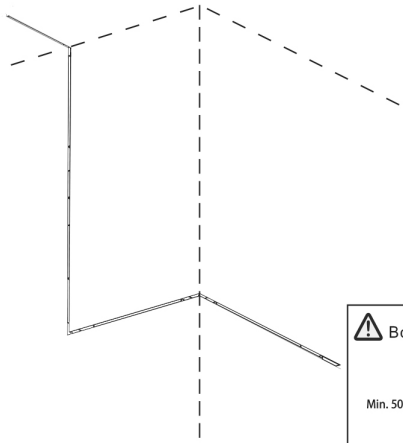
Apply to:
 001569
 001570
 001376

FINISHING

001680



10 Laying planks and Lock screw.
Sheet thickness is 12mm.



For the love of light
FLUA



Lights By Linea
Since (1990)

CAPE TOWN | +27 21 511 6116
STELLENBOSCH | +27 21 812 0600
info@lightsbylinea.com | lightsbylinea.com