



For the love of light
FLUA

LUNAM

LUNA M

LUNA is a compact and comprehensive lighting track system with magnetically installed luminaires

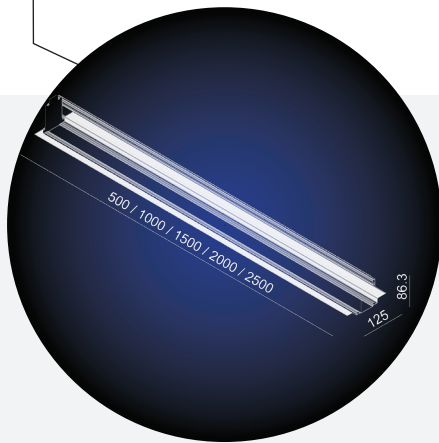
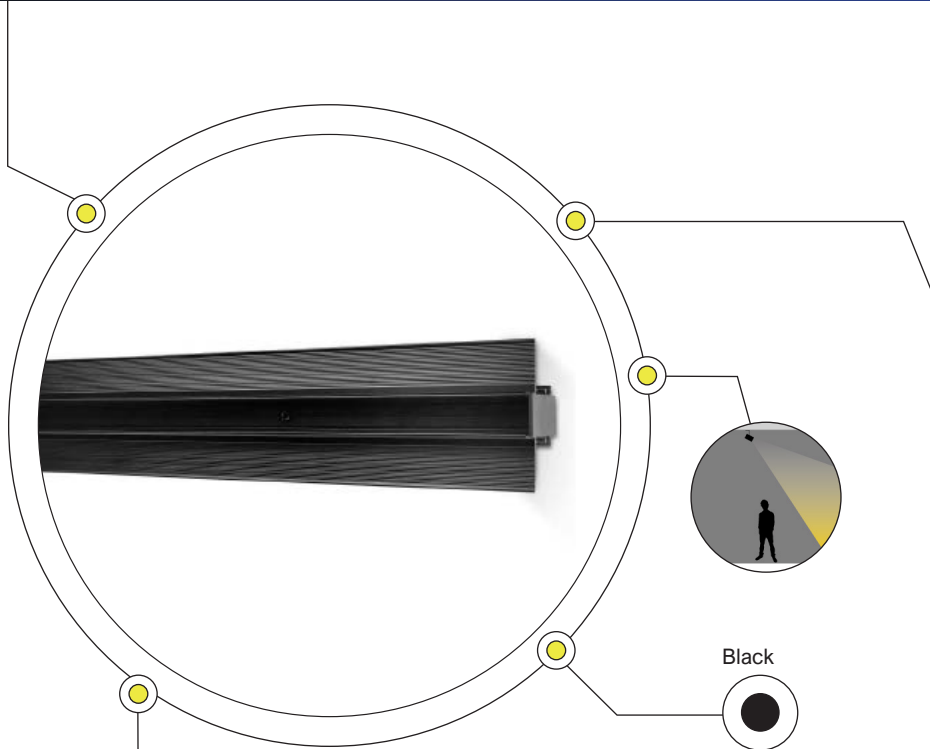
Luna provides a great choice for designers and architects with its easy, aesthetically pleasing and diverse installation options. This allows for the enhancement of the architectural design details and the space as a whole

With a wide choice of magnetic luminaires which provide lighting flexibility, their sharp minimalist design also provides style and elegance for any project



LUNA M DC MAGNETIC TRACK

RECESSED
TRACK SYSTEM



PHYSICAL DATA

FEATURES

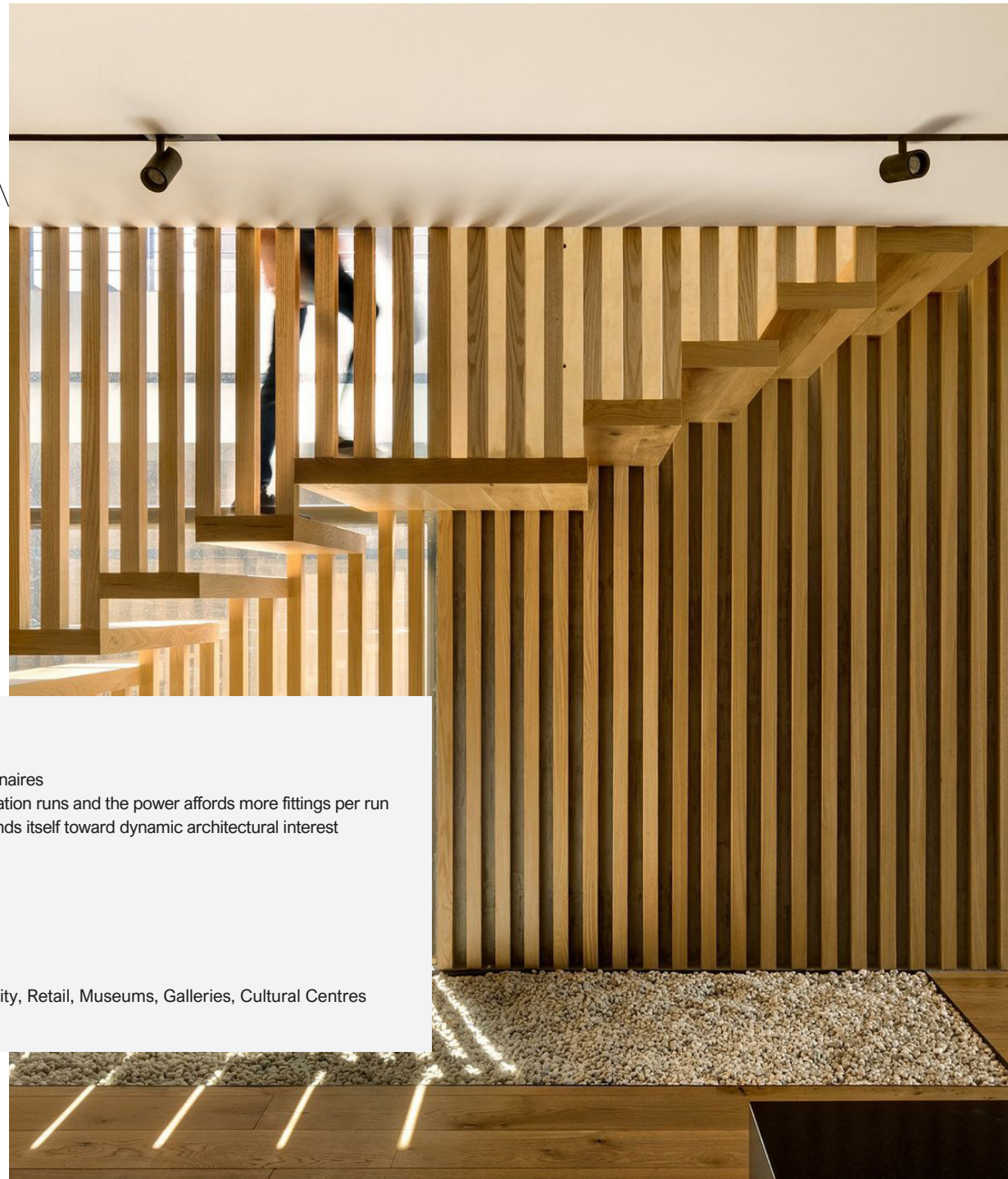
- Material: Aluminium
- Magnetic installation of luminaires
- 48V allows for longer installation runs and the power affords more fittings per run
- Recessed slimline profile lends itself toward dynamic architectural interest
- DALI Driver (remote)

MOUNTING

Recessed

APPLICATION AREAS

Indoor, Commercial, Hospitality, Retail, Museums, Galleries, Cultural Centres





TECHNICAL DATA

POWER SUPPLY FEED

	LF001606	LF001493	LF001494	LF001495	LF001496
OPERATING VOLTAGE	48V	48V	48V	48V	48V
MODEL	M DC-24/48-0.5M	M DC-24/48-1M	M DC-24/48-1.5M	M DC-24/48-2M	M DC-24/48-2.5M
DIMENSIONS	500 x 125 x 86mm	1000 x 125 x 86mm	1500 x 125 x 86mm	2000 x 125 x 86mm	2500 x 125 x 86mm
CUT OUT SIZE	500 x 53mm	1000 x 53mm	1500 x 53mm	2000 x 53mm	2500 x 53mm

INTERMEDIATE TRACK

	LF001605	LF001498	LF0012499	LF001500	LF001501
OPERATING VOLTAGE	48V	48V	48V	48V	48V
MODEL	M DC-24/48C-0.5M	M DC-24/48C-1M	M DC-24/48C-1.5M	M DC-24/48C-2M	M DC-24/48C-2.5M
DIMENSIONS	500 x 125 x 86mm	1000 x 125 x 86mm	1500 x 125 x 86mm	2000 x 125 x 86mm	2500 x 125 x 86mm
CUT OUT SIZE	500 x 53mm	1000 x 53mm	1500 x 53mm	2000 x 53mm	2500 x 53mm

LUNA M DC MAGNETIC TRACK

RECESSED
TRACK SYSTEM



LUNA M CORNER L1
LF001503

MODEL	M DC-24/48-L1
OPERATING VOLTAGE	48V
COLOURS	BLACK
WARRANTY	3 YRS
DIMENSIONS	166 x 166 x 125mm



LUNA M CORNER L2
LF001504

MODEL	M DC-24/48-L2
OPERATING VOLTAGE	48V
COLOURS	BLACK
WARRANTY	3 YRS
DIMENSIONS	150 x 150 x 125mm



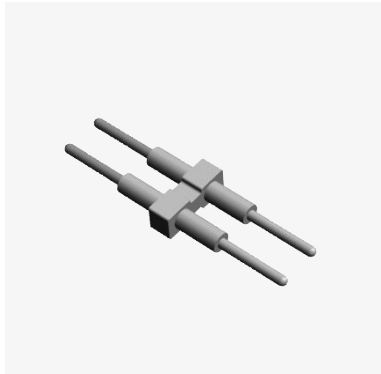
LUNA M CORNER L3
LF001505

MODEL	M DC-24/48-L3
OPERATING VOLTAGE	48V
COLOURS	BLACK
WARRANTY	3 YRS
DIMENSIONS	195 x 195 x 86mm



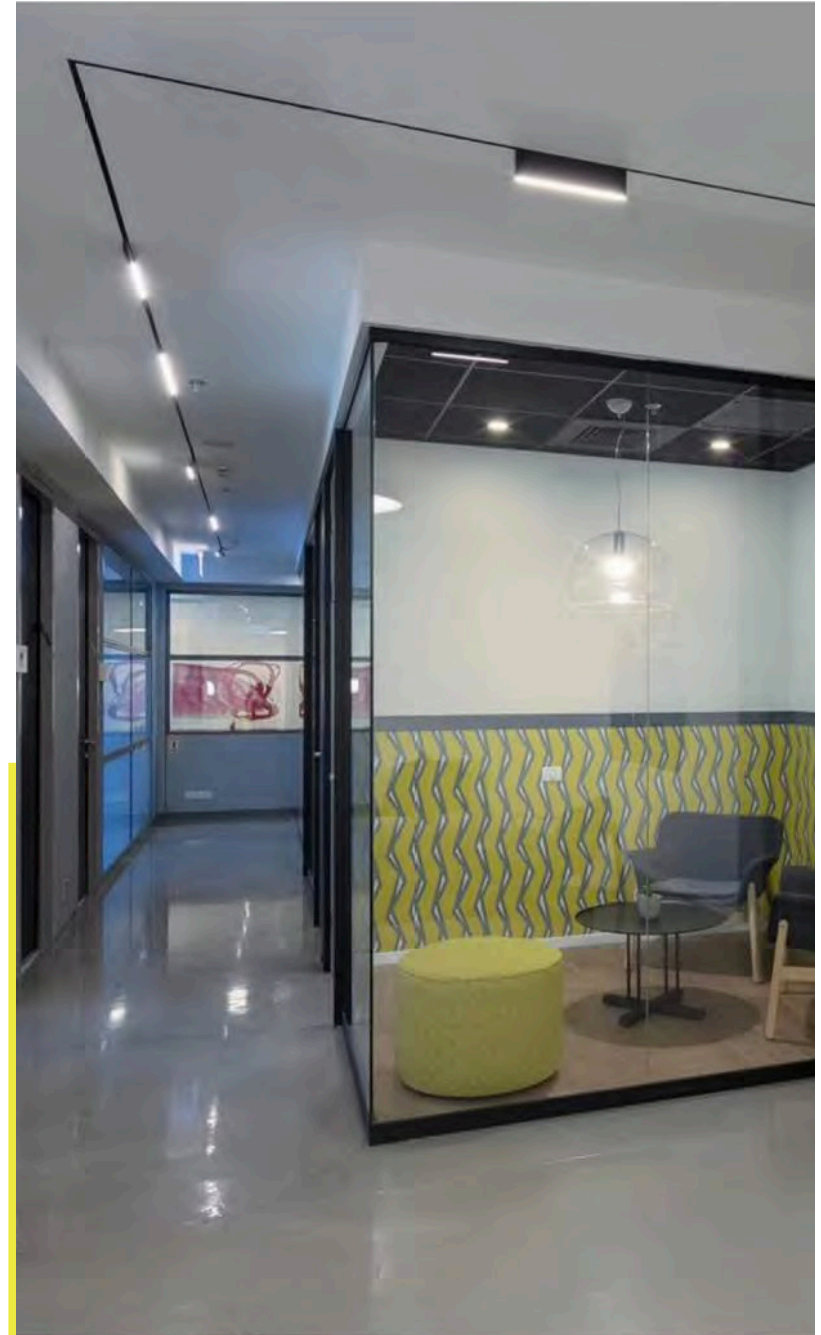
LUNA M CONNECTOR
LF001608

MODEL	M DC-24/48-I
OPERATING VOLTAGE	24V / 48V
COLOURS	BLACK
WARRANTY	3 YRS
DIMENSIONS	100 x 27 x 11.3mm



LUNA S/M PIN
LF001680

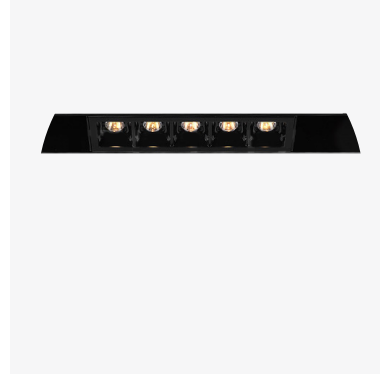
MODEL	S/M PIN
OPERATING VOLTAGE	48V
COLOURS	CREAM
WARRANTY	3 YRS
DIMENSIONS	26.75 x 2.6mm





ABACO CM SPOT
LF527915EDA

OPERATING VOLTAGE	48V
SYSTEM POWER (W)	12.7W
DRIVER	DALI
CCT (K)	2700 / 3000 / 4000K
BEAM ANGLE	15°-23°
WARRANTY	13 YRS
DIMENSIONS	φ365 X 198mm
COLOURS	BLACK



AHRI CM SPOT 5
LF520217DA

OPERATING VOLTAGE	48V
SYSTEM POWER (W)	11W
DRIVER	DALI
CCT (K)	2700 / 3000 / 4000K
BEAM ANGLE	18°/25°
WARRANTY	3 YRS
DIMENSIONS	143 x 34 x 71mm
COLOURS	BLACK



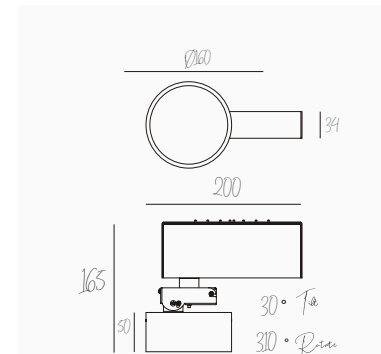
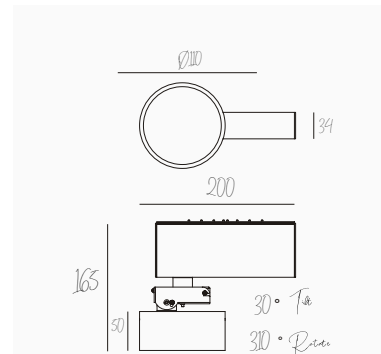
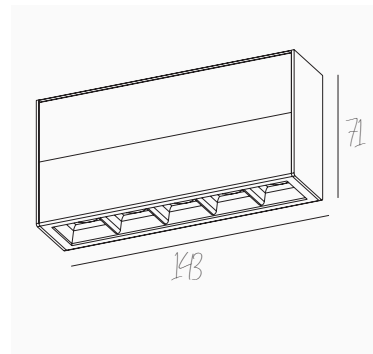
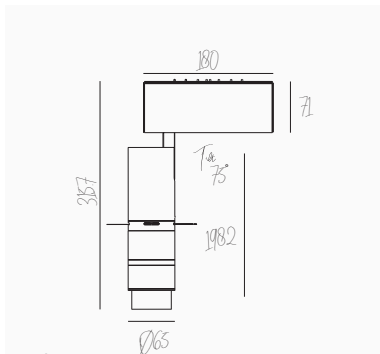
DOMO CM 11
LF534014DA2

OPERATING VOLTAGE	48V
SYSTEM POWER (W)	5.8W
DRIVER	TURNABLE WHITE - DALI
CCT (K)	2700-5700K
BEAM ANGLE	180°
WARRANTY	3 YRS
DIMENSIONS	110 x 50 x 165mm
COLOURS	BLACK WHITE



DOMO CM 16
LF534114DA2

OPERATING VOLTAGE	48V
SYSTEM POWER (W)	10.6W
DRIVER	TURNABLE WHITE - DALI
CCT (K)	2700-5700K
BEAM ANGLE	180°
WARRANTY	3 YRS
DIMENSIONS	φ160 x 50 x 165mm
COLOURS	BLACK WHITE



Track Spot Lightings



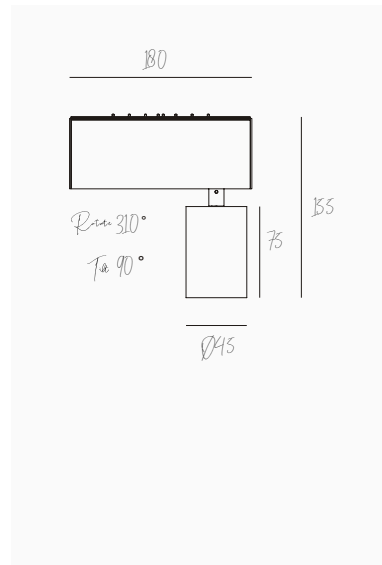
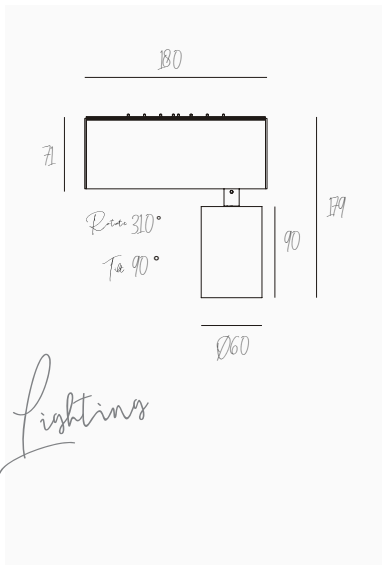
FAVOR CM M
LF531519EDA

OPERATING VOLTAGE	48V
SYSTEM POWER (W)	13.8W
DRIVER	N/A
CCT (K)	2700 / 3000 / 4000K
BEAM ANGLE	14°
WARRANTY	3 YRS
DIMENSIONS	φ60 x 240mm
COLOURS	BLACK



FAVOR CM S
LF531119EDA

OPERATING VOLTAGE	48V
SYSTEM POWER (W)	9.6W
DRIVER	N/A
CCT (K)	2700 / 3000 / 4000K
BEAM ANGLE	19° / 28°
WARRANTY	3 YRS
DIMENSIONS	45 x 75 x 180mm
COLOURS	BLACK



Track Spot Lightings



GLORY CM M
LF530312DA2

OPERATING VOLTAGE	48V
SYSTEM POWER (W)	17.7W
DRIVER	DALI
CCT (K)	2700 - 5700K
BEAM ANGLE	29° / 42° / 56°
WARRANTY	3 YRS
DIMENSIONS	φ65 x 120mm
COLOURS	BLACK WHITE



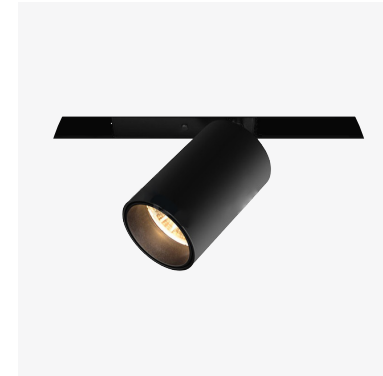
LUNA M SPOT
LF520015EDA

OPERATING VOLTAGE	48V
SYSTEM POWER (W)	18W
DRIVER	DALI
CCT (K)	2700/3000/3500/ 4000K AND 3000K SENSUS
BEAM ANGLE	20° / 12° / 36°
WARRANTY	3 YRS
DIMENSIONS	φ180 x 65 x 193mm
COLOURS	BLACK WHITE



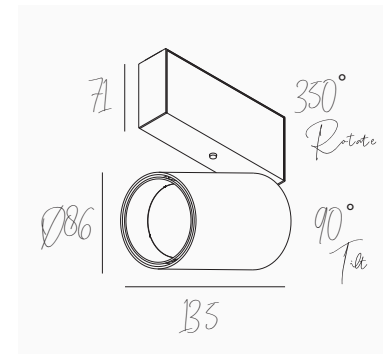
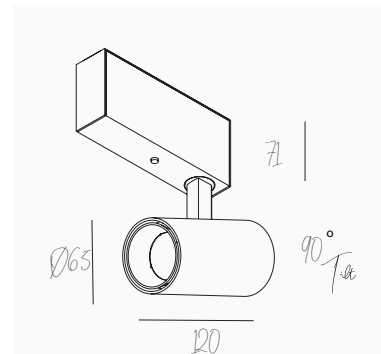
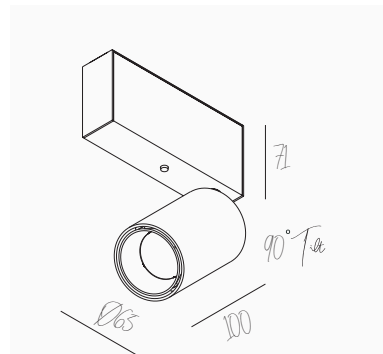
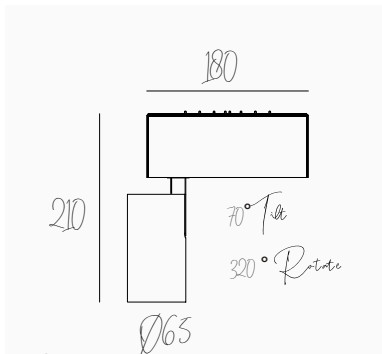
GLORY CM S SIDE
LF519815EDA

OPERATING VOLTAGE	48V
SYSTEM POWER (W)	18W
DRIVER	DALI
CCT (K)	2700/3000/3500/ 4000K AND 3000K SENSUS
BEAM ANGLE	20° / 12° / 36°
WARRANTY	3 YRS
DIMENSIONS	φ150 x 24.5 x 14.5mm
COLOURS	BLACK WHITE



GLORY CM M SIDE
LF520115EDA

OPERATING VOLTAGE	48V
SYSTEM POWER (W)	36W
DRIVER	DALI
CCT (K)	2700/3000/3500/ 4000K AND 3000K SENSUS
BEAM ANGLE	12° / 20° / 36°
WARRANTY	3 YRS
DIMENSIONS	φ86 x 234 X 188mm
COLOURS	BLACK WHITE



Track Spot Lightings



**GRACE CM M
LF519615EDA**

OPERATING VOLTAGE	48V
SYSTEM POWER (W)	33W
DRIVER	DALI
CCT (K)	2700/3000/3500/ 4000K AND 3000K SENSUS
BEAM ANGLE	15°- 30°
WARRANTY	3 YRS
DIMENSIONS	φ86 x 208 X 224mm
COLOURS	BLACK



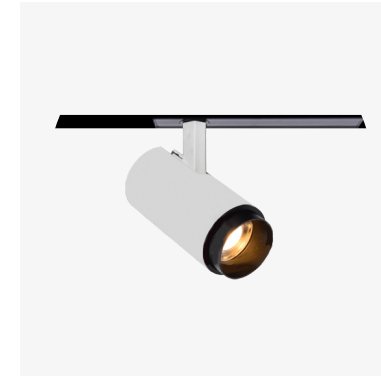
**GRACE CM M SIDE
LF519515EDA**

OPERATING VOLTAGE	48V
SYSTEM POWER (W)	33W
DRIVER	DALI
CCT (K)	2700/3000/3500/ 4000K AND 3000K SENSUS
BEAM ANGLE	15°- 30°
WARRANTY	3 YRS
DIMENSIONS	φ86 x 164 x 238mm
COLOURS	BLACK



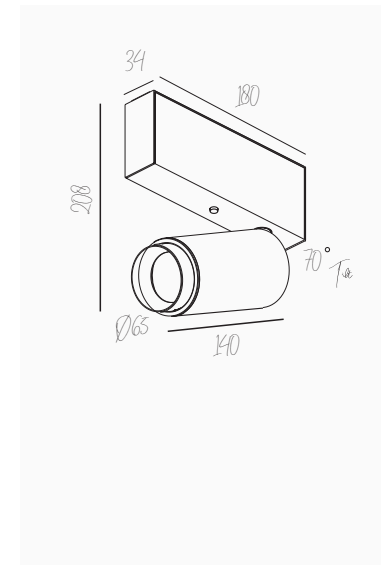
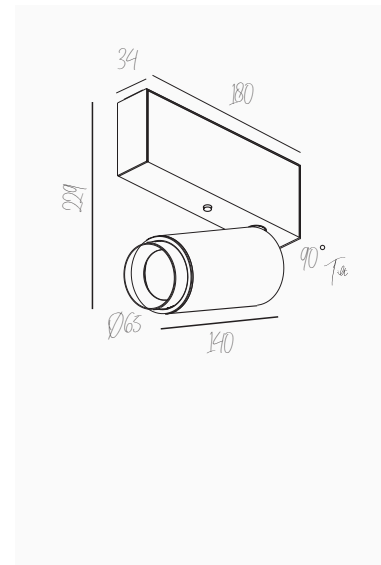
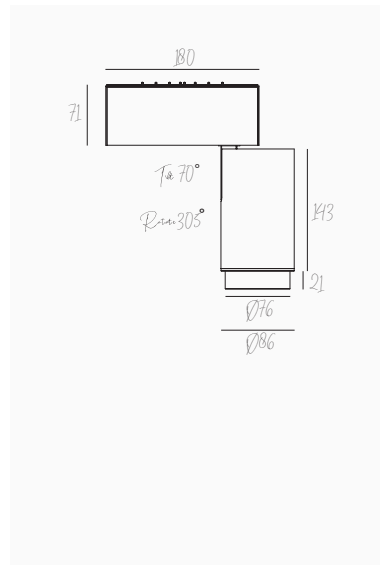
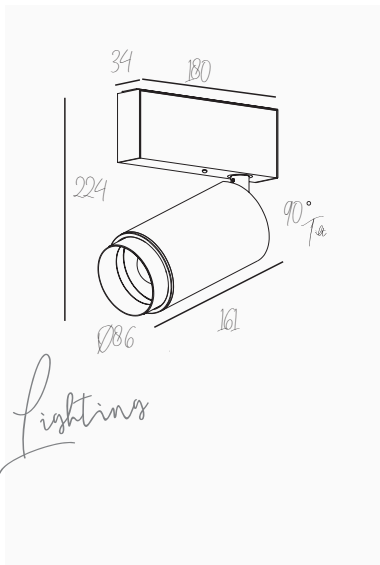
**GRACE CM S
LF519415EDA**

OPERATING VOLTAGE	48V
SYSTEM POWER (W)	22W
DRIVER	DALI
CCT (K)	2700/3000/3500/ 4000K AND 3000K SENSUS
BEAM ANGLE	15°- 30°
WARRANTY	3 YRS
DIMENSIONS	φ65 x 193 x 180mm
COLOURS	BLACK



**GRACE CM S SIDE
LF519315EDA**

OPERATING VOLTAGE	48V
SYSTEM POWER (W)	22W
DRIVER	DALI
CCT (K)	2700/3000/3500/ 4000K AND 3000K SENSUS
BEAM ANGLE	15°- 30°
WARRANTY	3 YRS
DIMENSIONS	φ65 x 135 X 208mm
COLOURS	BLACK



Track Spot Lightings



ORIAN CM L
LF530019EDA

OPERATING VOLTAGE	48V
SYSTEM POWER (W)	26.6W
DRIVER	DALI
CCT (K)	2700 / 3000 / 4000K
BEAM ANGLE	15° / 25° / 35°
WARRANTY	5 YRS
DIMENSIONS	φ72 x 180 x 250.7mm
COLOURS	BLACK



ORIAN CM M
LF529919EDA

OPERATING VOLTAGE	48V
SYSTEM POWER (W)	18.8W
DRIVER	DALI
CCT (K)	2700 / 3000 / 4000K
BEAM ANGLE	15° / 25° / 35°
WARRANTY	5 YRS
DIMENSIONS	φ72 x 180 x 201mm
COLOURS	BLACK



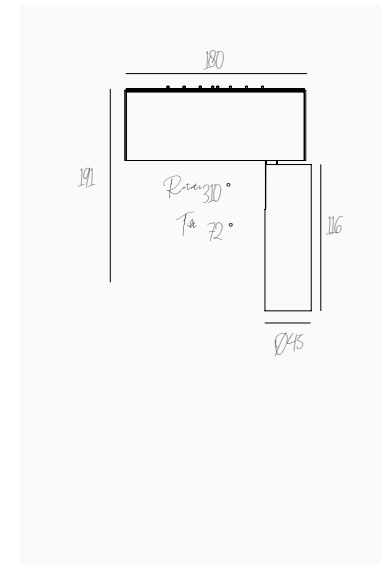
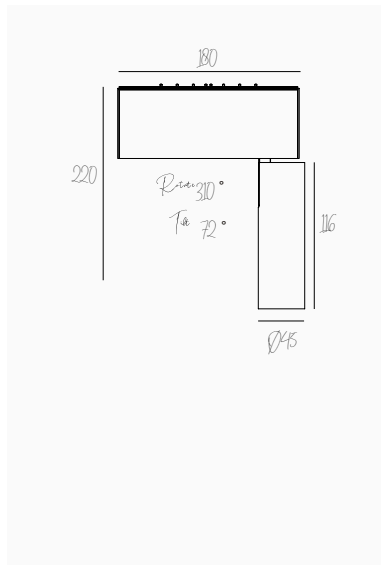
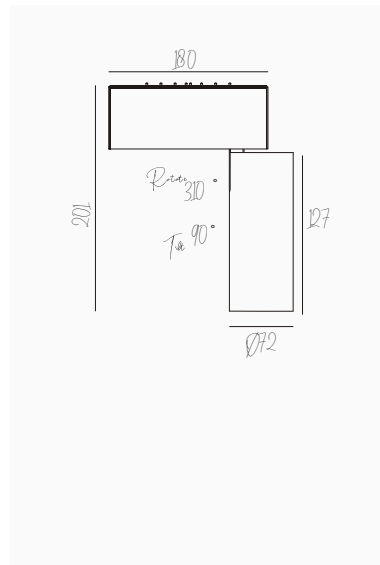
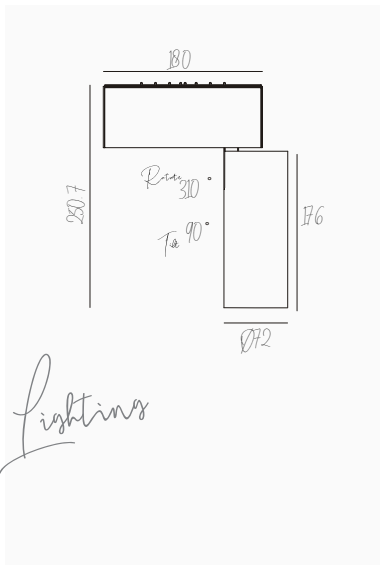
ORIAN CM S
LF529819EDA

OPERATING VOLTAGE	48V
SYSTEM POWER (W)	11.4W
DRIVER	DALI
CCT (K)	2700 / 3000 / 4000K
BEAM ANGLE	18° / 24° / 34° / 41°
WARRANTY	5 YRS
DIMENSIONS	φ45 x 180 x 220mm
COLOURS	BLACK



ORIAN CM SS
LF529719EDA

OPERATING VOLTAGE	48V
SYSTEM POWER (W)	7.4W
DRIVER	DALI
CCT (K)	2700 / 3000 / 4000K
BEAM ANGLE	18° / 24° / 34° / 41°
WARRANTY	5 YRS
DIMENSIONS	φ45 x 180 x 191mm
COLOURS	BLACK



Track Spot Lightings



TURN CM M
LF532919EDA

OPERATING VOLTAGE	48V
SYSTEM POWER (W)	10W
DRIVER	DALI
CCT (K)	2700 / 3000 / 4000K
BEAM ANGLE	28° / 36° / 48°
WARRANTY	3 YRS
DIMENSIONS	φ70 x 180mm
COLOURS	BLACK



TURN CM M SQUARED
LF533119EDA

OPERATING VOLTAGE	48V
SYSTEM POWER (W)	10W
DRIVER	DALI
CCT (K)	2700 / 3000 / 4000K
BEAM ANGLE	28° / 36° / 48°
WARRANTY	3 YRS
DIMENSIONS	70 x 70 x 180mm
COLOURS	BLACK



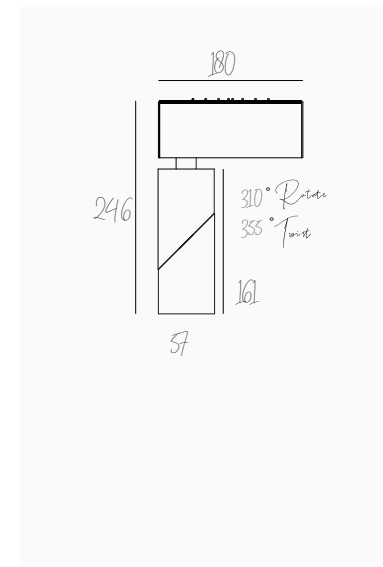
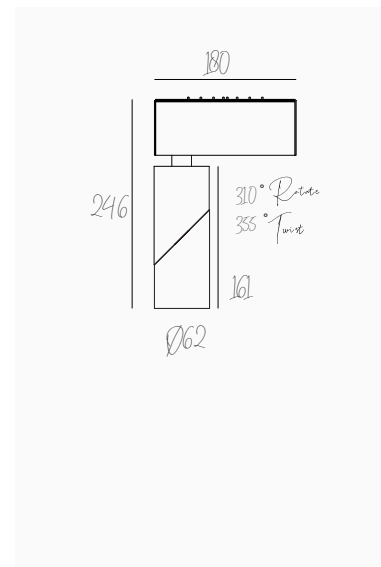
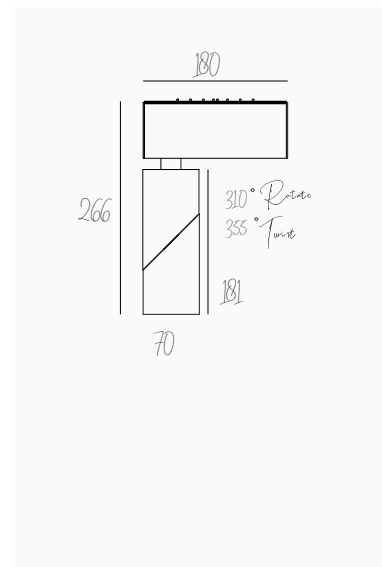
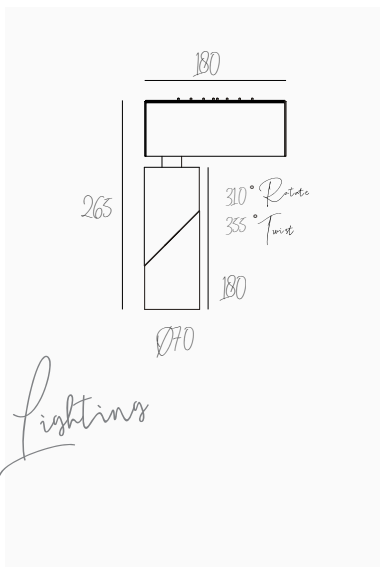
TURN CM S
LF532319EDA

OPERATING VOLTAGE	48V
SYSTEM POWER (W)	7.5W
DRIVER	DALI
CCT (K)	2700 / 3000 / 4000K
BEAM ANGLE	28° / 38° / 48°
WARRANTY	3 YRS
DIMENSIONS	φ62 x 161mm
COLOURS	BLACK

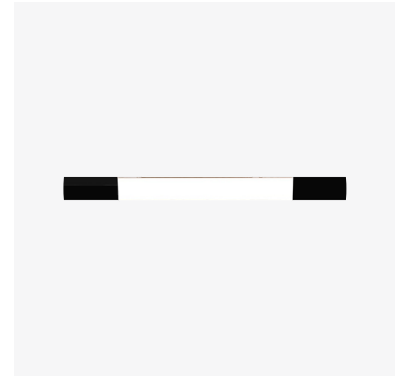
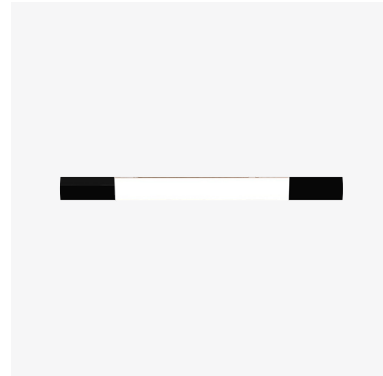
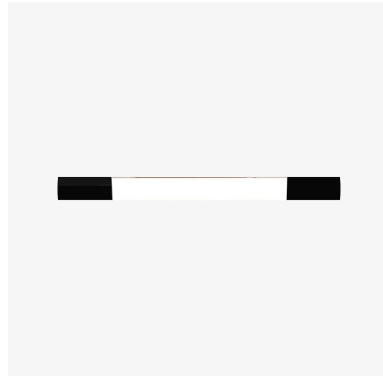
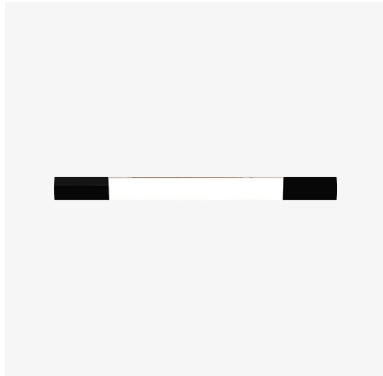
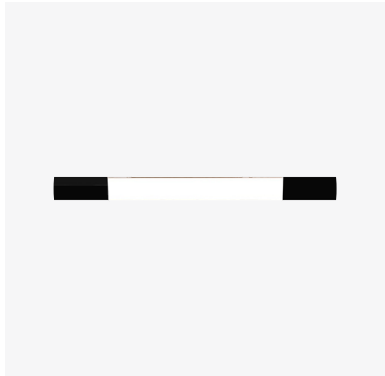


TURN CM S SQUARED
LF532719EDA

OPERATING VOLTAGE	48V
SYSTEM POWER (W)	7.5W
DRIVER	DALI
CCT (K)	2700 / 3000 / 4000K
BEAM ANGLE	28° / 38° / 48°
WARRANTY	3 YRS
DIMENSIONS	57 x 57 x 161mm
COLOURS	BLACK



Track Spot Lighting



MOONLINE CM 300
LF522914DA

OPERATING VOLTAGE	48V
SYSTEM POWER (W)	24W
DRIVER	DALI
CCT (K)	2700 / 3000 / 4000K
BEAM ANGLE	180°
WARRANTY	3 YRS
DIMENSIONS	300 x 34 x 71mm
COLOURS	BLACK

MOONLINE CM 600
LF523014DA

OPERATING VOLTAGE	48V
SYSTEM POWER (W)	48W
DRIVER	DALI
CCT (K)	2700 / 3000 / 4000K
BEAM ANGLE	180°
WARRANTY	3 YRS
DIMENSIONS	595 x 34 x 71mm
COLOURS	BLACK

MOONLINE CM 900
LF523114DA

OPERATING VOLTAGE	48V
SYSTEM POWER (W)	72W
DRIVER	DALI
CCT (K)	2700 / 3000 / 4000K
BEAM ANGLE	180°
WARRANTY	3 YRS
DIMENSIONS	900 x 34 x 71mm
COLOURS	BLACK

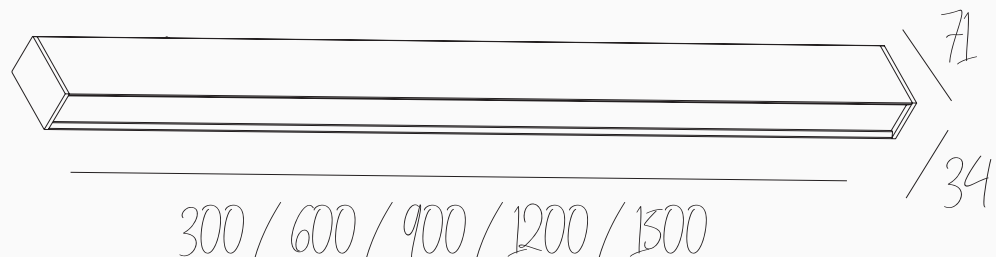
MOONLINE CM 1200
LF523214DA

OPERATING VOLTAGE	48V
SYSTEM POWER (W)	96W
DRIVER	DALI
CCT (K)	2700 / 3000 / 4000K
BEAM ANGLE	180°
WARRANTY	3 YRS
DIMENSIONS	1185 x 34 x 71mm
COLOURS	BLACK

MOONLINE CM 1500
LF523314DA

OPERATING VOLTAGE	48V
SYSTEM POWER (W)	120W
DRIVER	DALI
CCT (K)	2700 / 3000 / 4000K
BEAM ANGLE	180°
WARRANTY	3 YRS
DIMENSIONS	1480 x 34 x 71mm
COLOURS	BLACK

Moonline Track Lights



Dimensions for LED strips: 500/1000/1500/2000/2500mm length, 125mm width, 86.3mm height.

Dimensions for accessories: 001505 (86mm x 195mm), 001504 (150mm x 125mm x 150mm), 001503 (166mm x 125mm), 001608 (2.8mm x 28mm), 001680 (2.0mm).

FEED	MODEL	CODE	SIZE
	M DC-24/48-0.5M	001606	500mm
	M DC-24/48-1M	001493	1000mm
	M DC-24/48-1.5M	001494	1500mm
	M DC-24/48-2M	001495	2000mm
	M DC-24/48-2.5M	001496	2500mm

INTERMEDIATE	MODEL	CODE	SIZE
	M DC-24/48C-0.5M	001605	500mm
	M DC-24/48C-1M	001498	1000mm
	M DC-24/48C-1.5M	001499	1500mm
	M DC-24/48C-2M	001500	2000mm
	M DC-24/48C-2.5M	001501	2500mm
	M DC-24/48-L1	001503	
	M DC-24/48-L2	001504	
	M DC-24/48-L3	001505	
	M DC-24/48-I	001608	
	S/M PIN	001680	

Accessory Set

1 PREINSTALLATION

Max distance per installation: 12m
 Max 350W / 7.5A when powered from one side
 More than 350W, regardless of length, has to be ring fed

2

It is recommended to install the power supply next to the power box or the maintenance port.

100-240V AC

48V DC
 "+" Brown
 "-" Blue

DIM
 "+" Black
 "-" Green/White

MAX0. 75mm²

3 Take out

4B

Apply to:

- 001606
- 001605
- 001505
- 001504

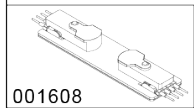
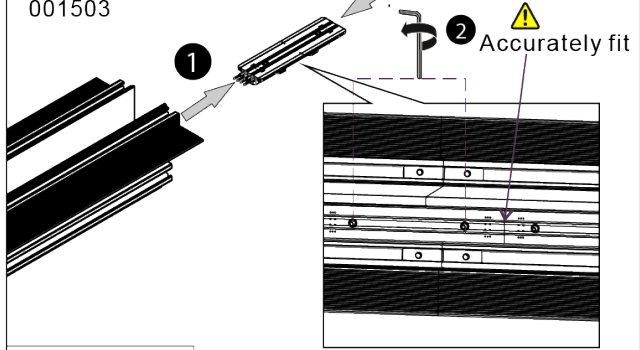
001504 needs 4pcs 001680

001680

4B

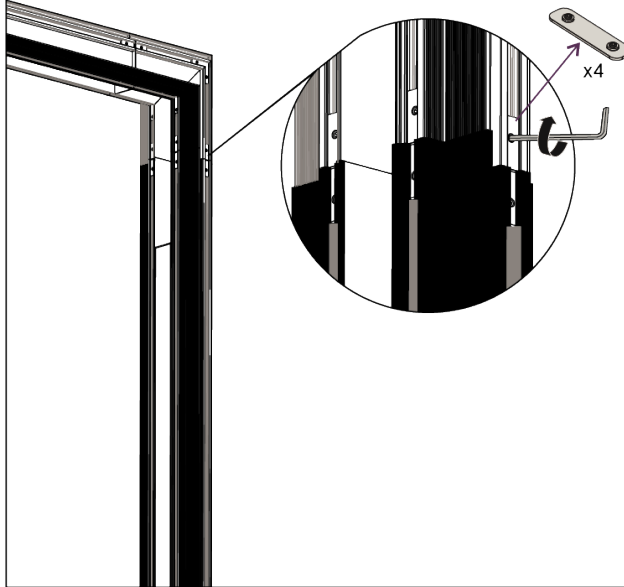
Apply to:

001493,001494
001495,001496
001498,001499
001500,001501
001503

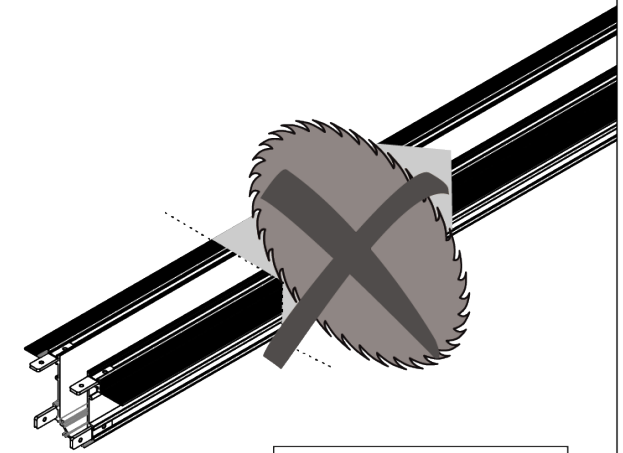


5

Tighten each connection plate.
Each part has 4 connection board.



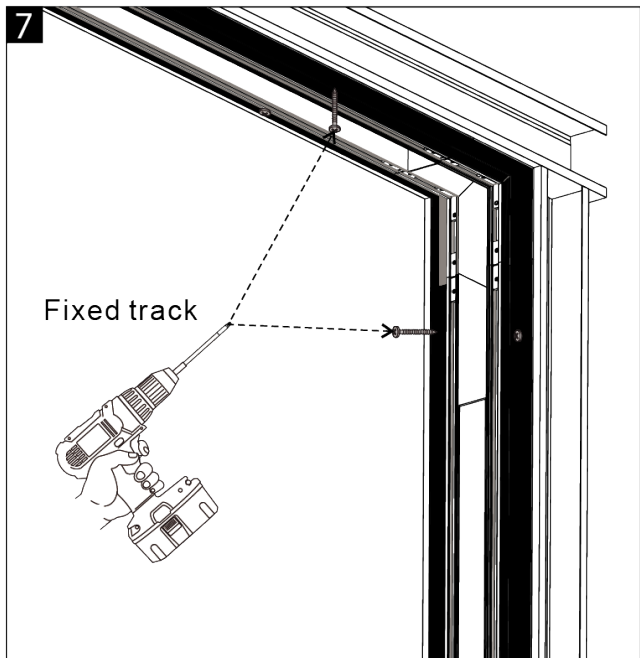
6



WARNING:
Non-cutting for track

7

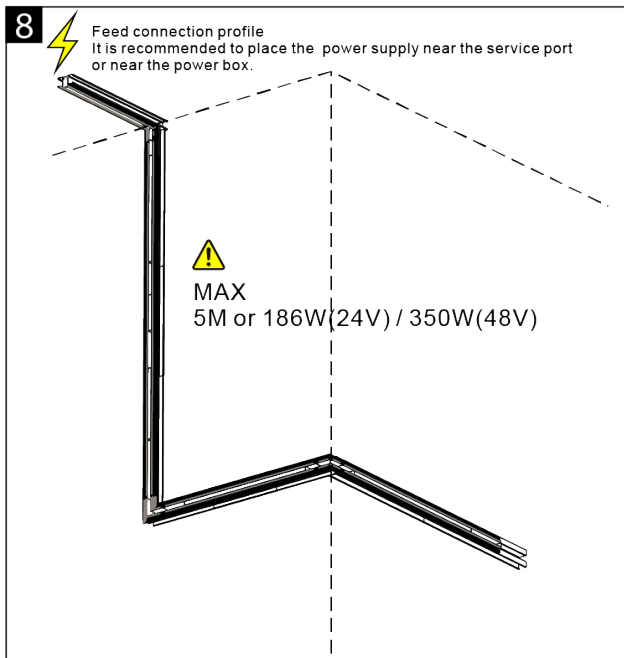
Fixed track



8

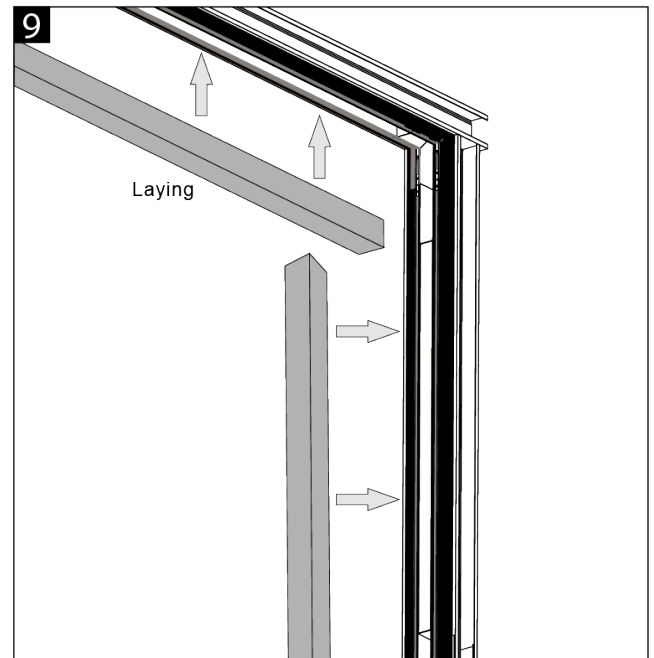
⚡ Feed connection profile
It is recommended to place the power supply near the service port
or near the power box.

⚠
MAX
5M or 186W(24V) / 350W(48V)

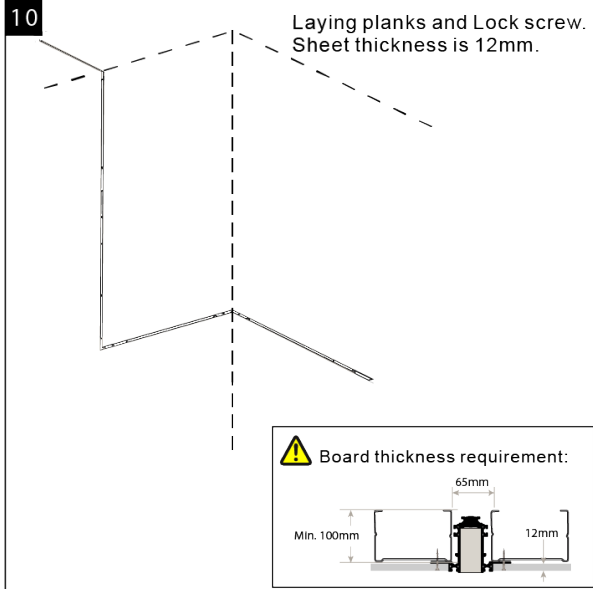


9

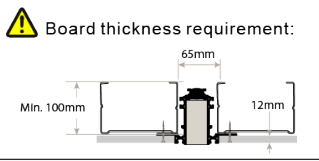
Laying



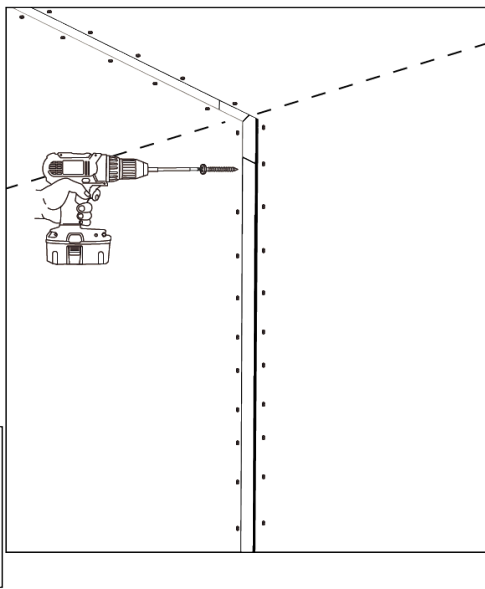
10 Laying planks and Lock screw. Sheet thickness is 12mm.



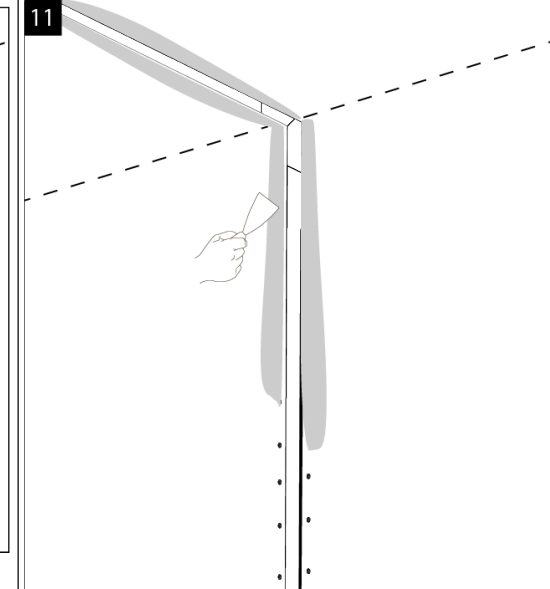
⚠ Board thickness requirement:



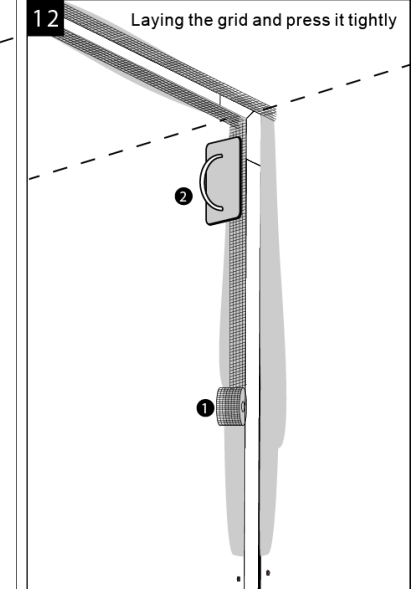
Min. 100mm 65mm 12mm



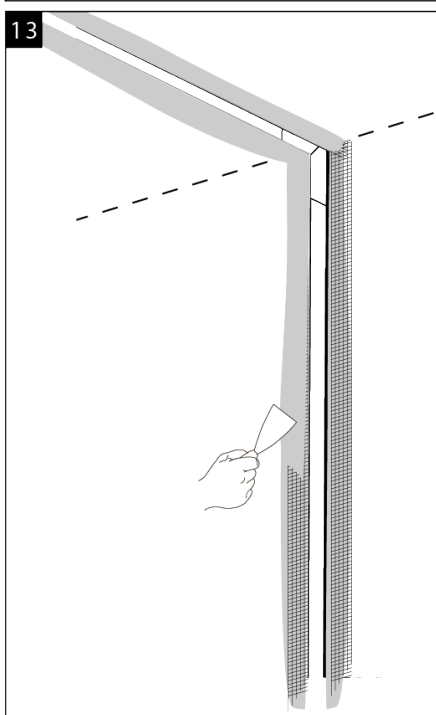
11



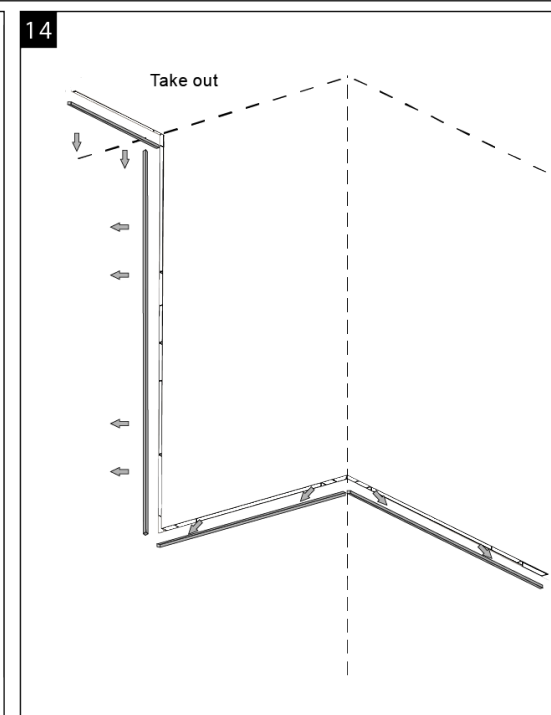
12 Laying the grid and press it tightly



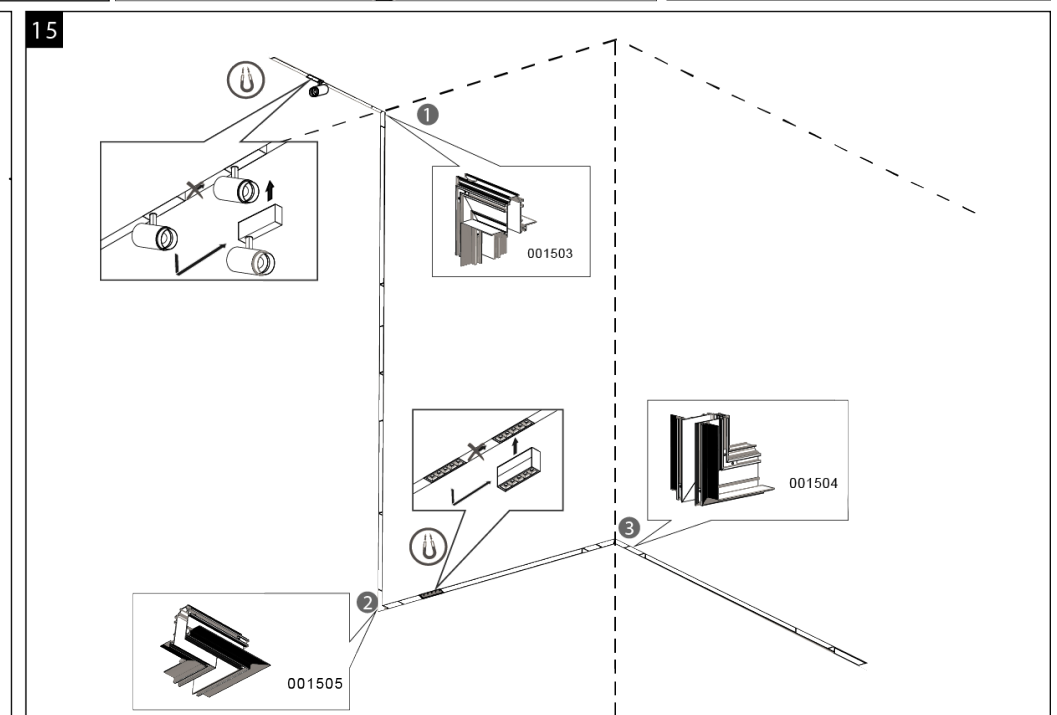
13



14 Take out



15



001503

001504

001505

1

2

3

For the love of light
FLUA



Lights By Linea
Since (1990)

CAPE TOWN | +27 21 511 6116
STELLENBOSCH | +27 21 812 0600
info@lightsbylinea.com | lightsbylinea.com