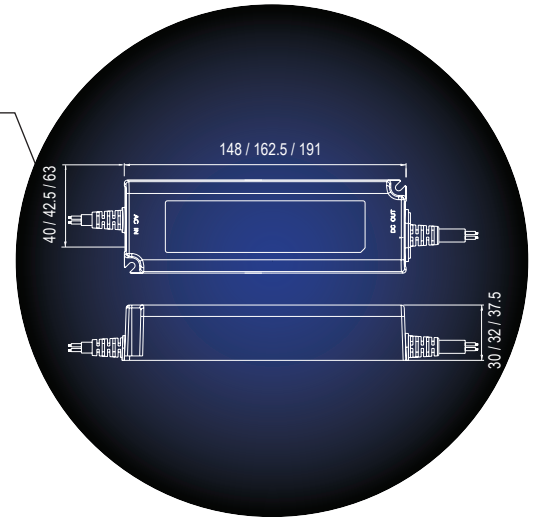




Colour:  White



+IP
67



LOA

3 YRS

PHYSICAL DATA

FEATURES & ACCESSORIES

- Fully encapsulated, isolated plastic case
- Constant voltage design
- Universal AC input / Full range
- Withstand 300VAC surge input for 5 seconds
- Protections: Short circuit / Overload / Over voltage
- Cooling by free air convection
- Class II power unit, no FG
- Pass LPS
- 100% full load burn-in test

- Low cost, high reliability

MOUNTING

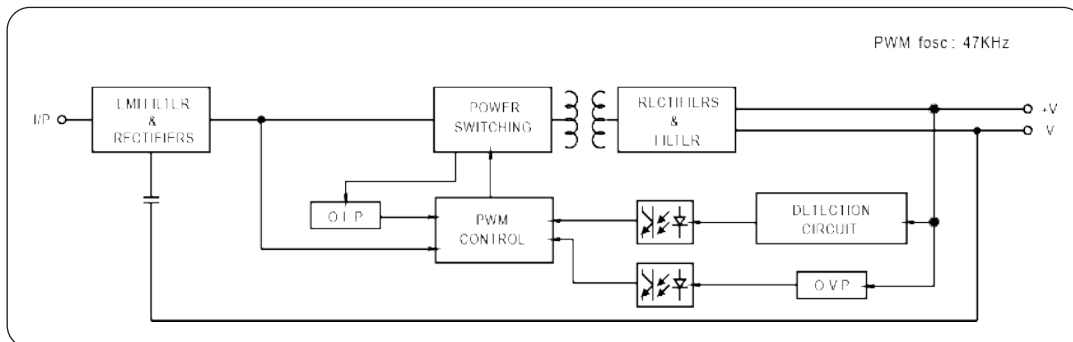
- Subject to application
- 50mm gap between drivers
- Breathable environment

APPLICATION AREAS

LED Lighting Applications

TECHNICAL DATA

	LBL35WP	LBL60WP	LBL150WP
MATERIAL	ALUMINIUM	ALUMINIUM	ALUMINIUM
TYPE	LED DRIVER	LED DRIVER	LED DRIVER
OUTPUT POWER	36W	60W	120W / 151.2W
INPUT VOLTAGE	90-370V	90-370V	180-305V
OUTPUT VOLTAGE	DC 12V / 24V	DC 12V / 24V	DC 12V / 24V
AMPERE (A)	3A / 1.5A	5A / 2.5A	10A / 6.3A
DIMENSIONS	L:148 x B:40 x H:30mm	L:162.5 x B:42.5 x H:32mm	L:191 x B:63 x H:37.5mm



Lights By Linea
Since (1990)

Cape Town | 48 Marine Dr, Paarden Eiland | T: +27 21 511 6116
info@lightsbylinea.com | www.lightsbylinea.com

E&OE MAY OCCUR