

+ IP 20

24°

⏚

F

LOA

3 YRS

PHYSICAL DATA

FEATURES & ACCESSORIES:

- Extruded aluminium housing with no external screws
- Electrostatic powder coating
- Anti-glare accessories
- Simple lamp installation
- Adjustable

MOUNTING:

Surface

APPLICATION AREAS:

Interior, Hospitality, Restaurants, Residential

OPTIONS:

Dimmable / Non-Dimmable / Smart Control

TECHNICAL DATA

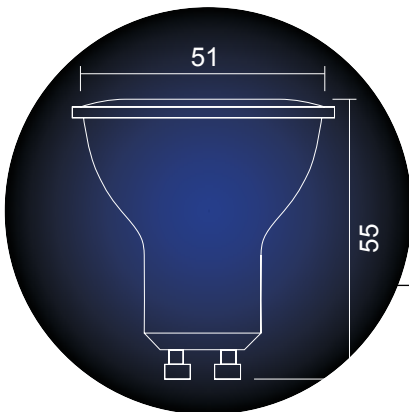
VOLTAGE
LAMP HOLDER

LSD04

230V 50Hz
GU10

LAMP DATA

MAX WATTAGE: 50 W
 LED WATTAGE: 5 - 8 W
 LED LIGHT OUTPUT (LM): 300 - 700 LM
 RATED LIFE (HRS): 25 000 hrs
 LUMEN MAINTENANCE (L/F): tbc
 EFFICACY (LM/W): 86
 BEAM ANGLE: 36°
 CCT*(K): 3000K or 4000K
 CRI (RA): ≥80



PLEASE NOTE:

Lamp specifications and lamp warranties may differ

