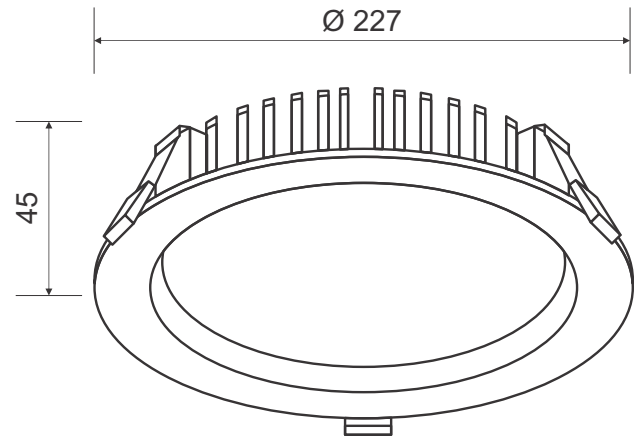


# K-Switch LED Down Light RND

LRD29



 CUT OUT - 195mm Ø



CODE	WATTAGE	CCT	BEAM ANGLE	TRIM	LUMEN OUTPUT
***LRD2920	20 W	3000K / 4000K / 6500K	110°	31	1800 LM / 2000 LM / 2000 LM
***LRD2930	30 W	3000K / 4000K / 6500K	110°	31	2700 LM / 3000 LM / 3000 LM
***LRD2950	50 W	3000K / 4000K / 6500K	110°	31	4000 LM / 4500 LM / 4250 LM

**Material** Die cast aluminium housing with polycarbonate diffuser

**Voltage** 220v 50Hz

**CRI** >80

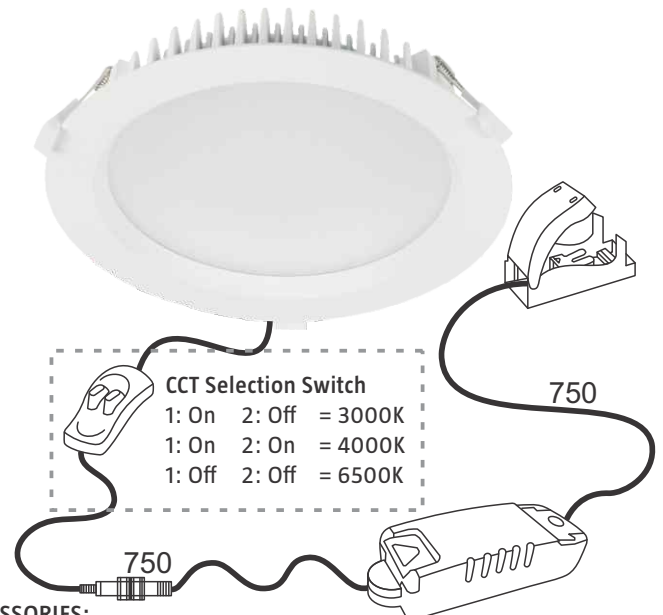
**Driver** Complete with dimmable

**Options** Emergency pack.

**Features** CCT selectable switch between 3000K, 4000K and 6500K

**Accessories** Surface mount box available  
Extension trim available.

\*\*\*Project fitting, lead-time and min quantity applies



**ACCESSORIES:**  
**R2070SMK-01** Surface Mount Box  
**R18255MK-01** Surface Mount Box  
**R1825265TRIM-01** Extension Trim

