

- +IP 65
- LOA
- 5 YRS
- ldt
- FLX
-

PHYSICAL DATA

FEATURES

- Flicker Free
- Constant Current
- Packed in max 50m roll
- High lumen efficacy
- Brilliant colour reproduction with CRI>80
- 3 OZ FPC design with excellent heat dissipation
- Latest high quality SMD chips
- Dimmable
- IK085 Protection

OPTIONS & ACCESSORIES

- End cap
- End cap with power plug
- End cap with power cord

MOUNTING

Subject To Application
Before application - please make sure the power supply is in accordance with the strips

APPLICATION AREAS: Surface

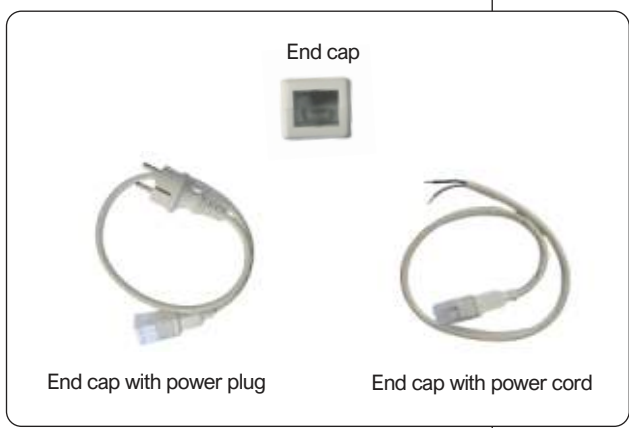
TECHNICAL DATA

LEDWFLEX14.4

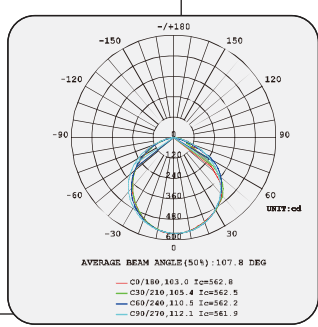
| | |
|-----------------------|---------------------------|
| LAMP | LED |
| TOTAL POWER (W) | 14.4W |
| SYSTEM OUTPUT (LM) | 1428LM |
| EFFICACY (LM/W) | 102LM/W |
| CCT (K) | 3000K |
| CRI (Ra) | 80 |
| BEAM ANGLE | 120° |
| OPERATING VOLTAGE-VAC | 230V |
| OPERATING TEMP °C | -20 TO 42°C |
| DIMENSIONS | L: 5000 x W:13.2 x H:18mm |
| CUTTING LENGTH | 166.7mm |

PLEASE NOTE

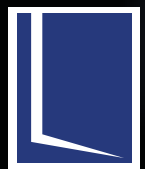
Consider the placement carefully due to the end cap dimensions.



- CD / KLM
- C0 - C180
- C90 - C270

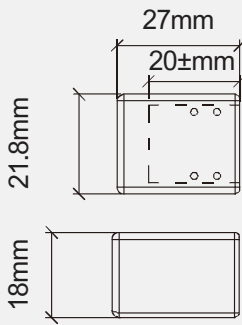


E&OE MAY OCCUR

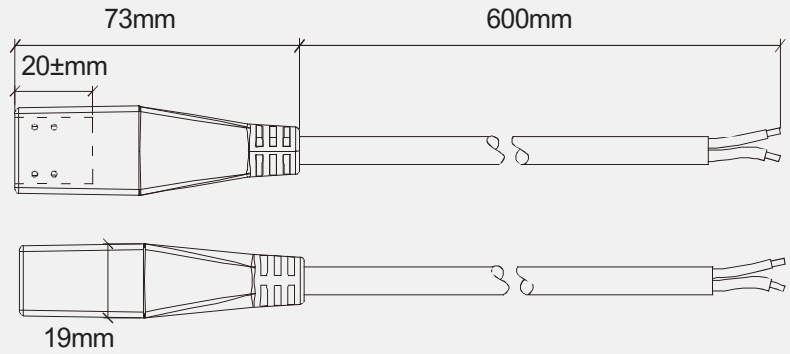


LED STRIP DIMENSIONS

END CAPS



CONNECTOR



LED CUTTING LENGTH

